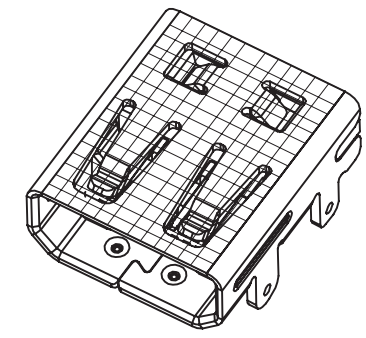
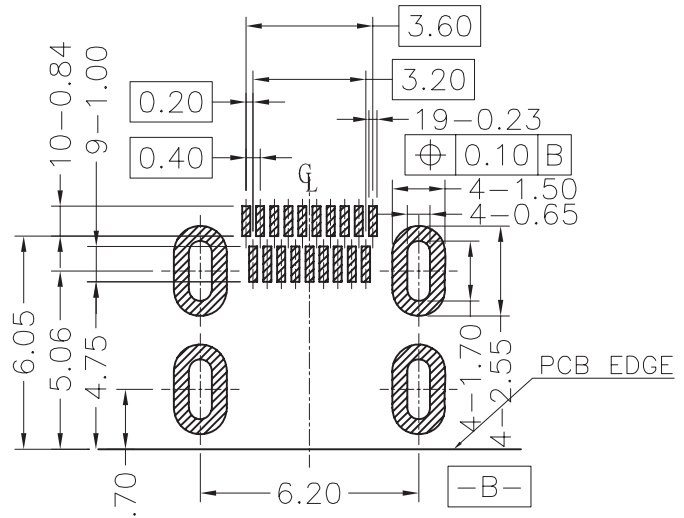
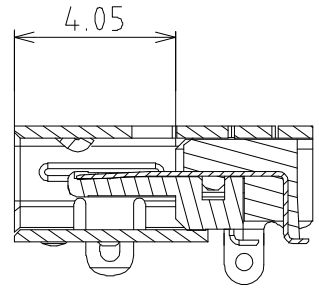
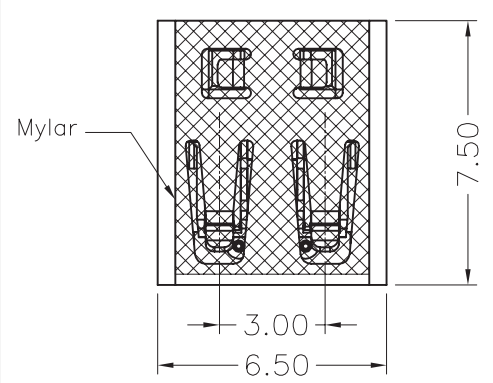
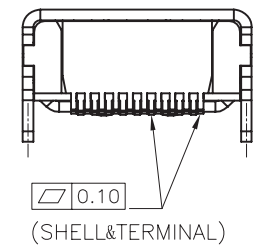
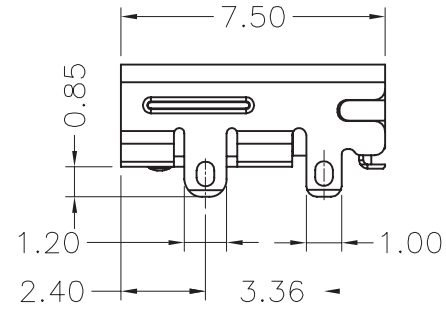
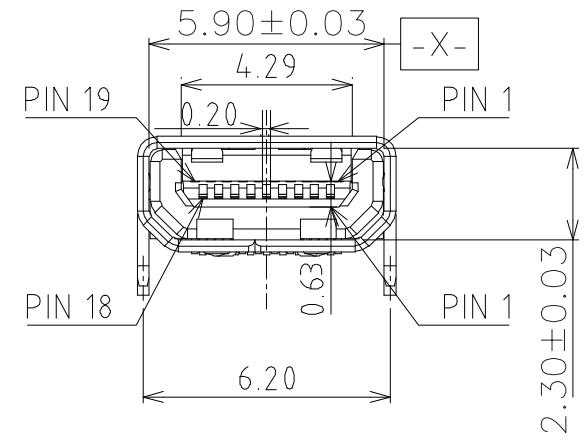


REV	ECN.NO	APPD.
A	XYX-233BZ-19HD-23301	ZHENBO LIU
	XYX-233BZ-19HD-23301	QiaoZhen LIN



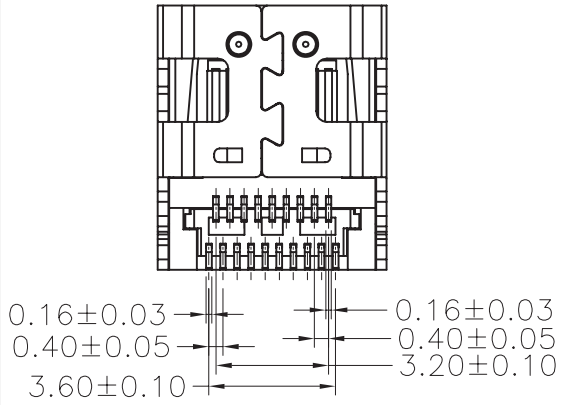
RECOMMENDED PCB LAYOUT(.XX±0.05)  
CONNECTOR SIDE(TOP VIEW)

NOTE:  
 1.MATERIAL AND FINISH SEE THE TABLE.  
 2.MECHANICAL CHARACTERISTICS  
 INSERTION FORCE: 44.1N MAX  
 EXTROCTION FORCE: 5N MIN(AFTER 5000 CYCLES 3N MIN.), 25N MAX.  
 MATING CYCLE:5000 CYCLES  
 3.ELECTRICAL CHARACTERISTICS  
 RATING CURRENT: 0.5A  
 RATING VOLTAGE: 40V  
 CONTACT RESISTANCE: 10 MILLOHMS OHMS MAX (EXCLDUING CONDUCTOR RESISTANCE)  
 INSULATION RESISTANCE:  
 a, UNMATED: 100M OHMS MIN AT 500 VDC  
 b, MATED: 10M OHMS MIN AT 150 VDC  
 DIELECTRIC WITHSTANDING VOLTAGE:  
 250V AC/1MINUTE  
 OPERATING TEMPERATURE: -20°C--+85°C  
 STORAGE TEMPERATURE: -20°C--+65°C



PART NO:  
 HHF-12X001-XSD  
 PACKAGING CODE  
 1: TARY PACKING  
 2: TAPE REEL PACKAGEING  
 3: TUBE PACKING  
 TERMINAL CONTACT  
 AREA PLATING CODE:  
 1: CONTACT AREA: GOLD FLASH  
 SOLDER AREA: GOLD FLASH  
 2: CONTACT AREA: 3u" GOLD  
 SOLDER AREA: GOLD FLASH  
 A: CONTACT AREA: GOLD FLASH  
 SOLDER AREA: MATTE TIN 100u"  
 B: CONTACT AREA: 3u" GOLD  
 SOLDER AREA: MATTE TIN 100u"

PIN	Signal Assignment	PIN	Signal Assignment
1	Hot Plug Detect	2	Utility
3	TMDS Data2+	4	TMDS Data2 Shield
5	TMDS Data2-	6	TMDS Data1+
7	TMDS Data1 Shield	8	TMDS Data1-
9	TMDS Data0+	10	TMDS Data0 Shield
11	TMDS Data0-	12	TMDS Clock+
13	TMDS Clock Shield	14	TMDS Clock-
15	CEC	16	DDC/CEC Ground
17	SCL	18	SDA
19	+5V Power		



NO.	PART NAME	Q'TY	DWG NO.	PART NO.	MATERIAL	FINISHED
3	SHELL	1			BRASS C2680R-H T=0.30mm	80u" Nickel OVER 80u" Copper
2	INSULATOR	1			LCP471, BLACK	/
1	TERMINAL	19			C5191-H T=0.12mm	Selected Au OVER 50u" Nickel

TOLERANCE UNSPECIFIED	UNITS	mm
0.0 ±0.30	MAT'L	
0.00 ±0.20	FINISH	
0.000 ±0.10	Q'TY	

NAME(INTENDED USE) HDMI D/F TYPE SMT TYPE SHELL LEG DIP+DIP (HSD-1 Series)
PART NO.(INTENDED USE) <b>XYX-233BZ-19HD-23301</b>
APPD: ZHENBO LIU 12/04'16
CHKD: QiaoZhen LIN 12/04'16
DR: ZHIYI LI 12/04'16

**深圳市日宝电子科技有限公司**  
 Shenzhen RB Electronic Technology Co., Ltd.

CLASS:  CONFIDENTIAL  SECRET  GENERAL

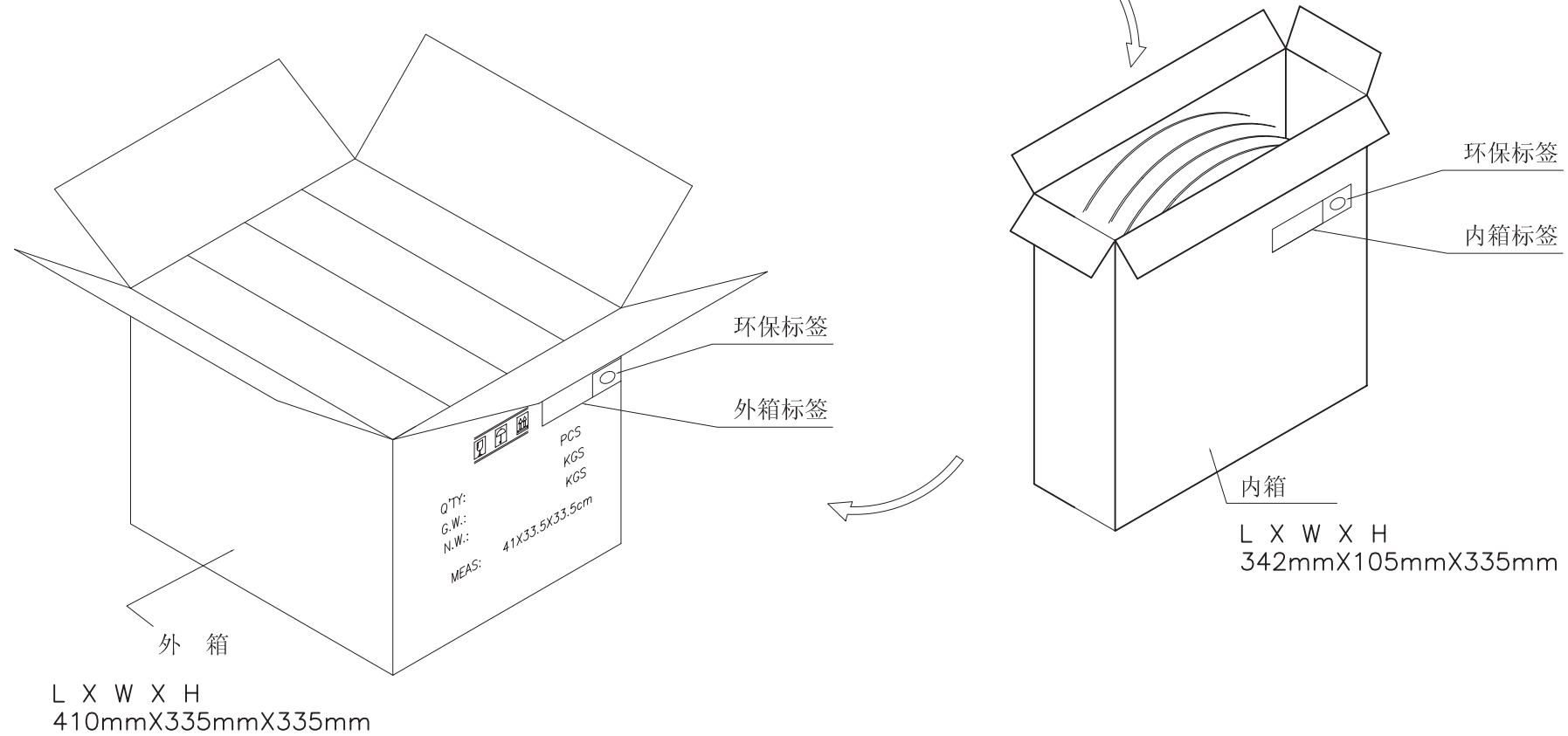
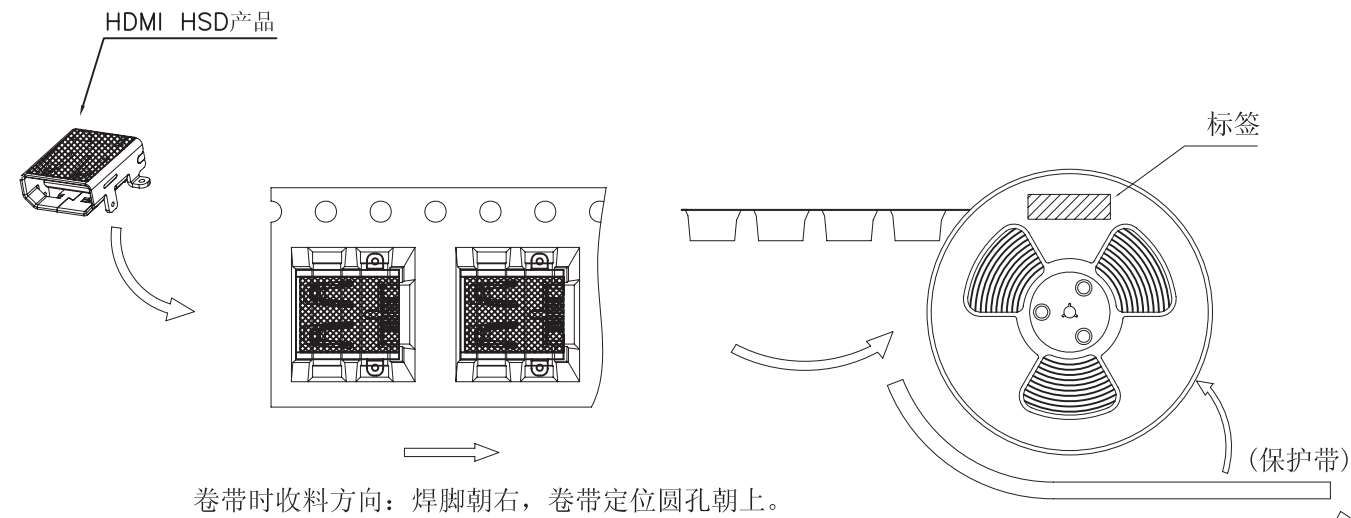
TITLE.: CUSTOMER DRAWING

DWG NO.:

SHEET	SCALE	REV
1/1	1:1	B

THESE DRAWINGS AND SPECIFICATIONS ARE THE PROPERTY OF RIBAO IN TEECONNECT TECHNOLOGY LIMITED.AND SHALL NOT BE REPRODUCED COPIED OR USED IN ANY MANNER WITHOUT THE PRIOR WRITTEN CONSENT OF XINYEXING INTERCONNECTEC HNOLGY LIMITEDCT

REV	ECN.NO	APPD.
A	XYX-233BZ-19HD-23301	ZHENBO LIU
B	XYX-233BZ-19HD-23301	QiaoZhen LIN



- Notes:
- 1.此部品, 禁止使用含有《环境管理物质控制标准》所限制的物质作为材料;
  - 2.卷带中每位置放置一个产品,每卷卷带的前后端预留约15个孔位不使用;
  - 3.边放产品边用封胶带封口,1个卷盘放置1000个产品;
  - 4.然后再卷一圈保护带,保护带最后重叠约50MM, 用皱纹胶纸将其封住;
  - 5.每个卷盘上贴“标签”后入内箱;
  - 6.内箱外侧以胶带封口,每个内箱外侧图示位置贴“内箱标签”及“环保标签”;
  - 7.每2个卷盘一个内箱, 5个内箱入1个外箱, 每箱装10000PCS.
  - 8.外箱外侧图示位置贴“外箱标签”及“环保标签”.

Tolerance Unspecified (未注公差) 0.0 ±0.10 0° ±3° 0.00 ±0.05 0°0 ±2° 0.000 ±0.02 0°00 ±1°  THESE DRAWINGS AND SPECIFICATIONS ARE THE PROPERTY OF RIBAO IN TEECONNECT TECHNOLOGY LIMITED AND SHALL NOT BE REPRODUCED COPIED OR USED IN ANY MANNER WITHOUT THE PRIOR WRITTEN CONSENT OF XINYEXING INTERCONNECTEC HNOLGY LIMITEDCT	UNITS	mm	NAME(INTENDED USE)	<b>深圳市日宝电子科技有限公司</b> Shenzhen RB Electronic Technology Co., Ltd.			
	MAT'L		HDMI D/F TYPE SMT TYPE SHELL LEG DIP+DIP (HSD-1 Series)	CLASS:	<input type="checkbox"/> CONFIDENTIAL	<input type="checkbox"/> SECRET	<input checked="" type="checkbox"/> GENERAL
	FINISH		PART NO.(INTENDED USE)	TITLE.:	CUSTOMER DRAWING		
	Q'TY		XYX-233BZ-19HD-23301	DWG NO.:			
			APPD: ZHENBO LIU 12/04'16		SHEET	SCALE	REV
			CHKD: QiaoZhen LIN 12/04'16		1/1	1:1	B
			DR: ZHIYI LI 12/04'16				