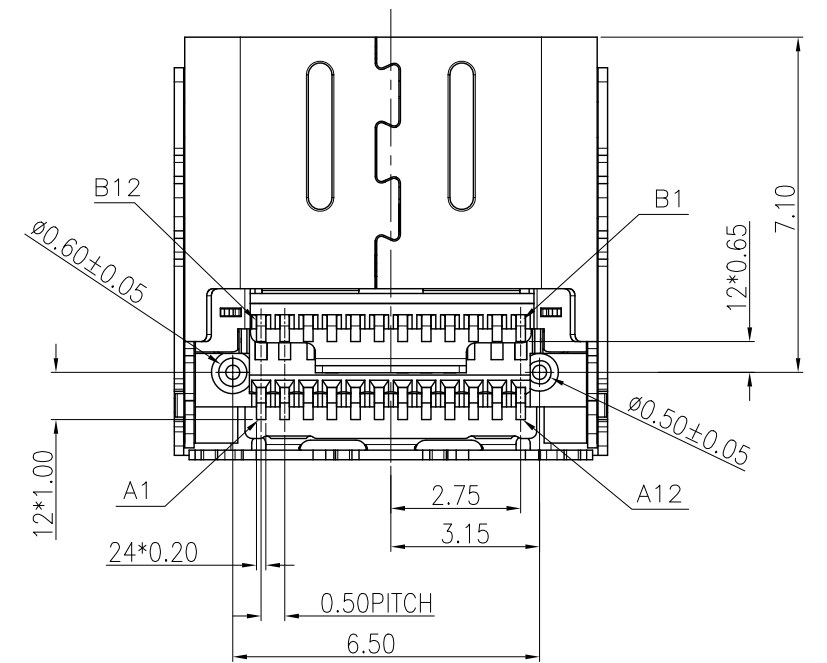
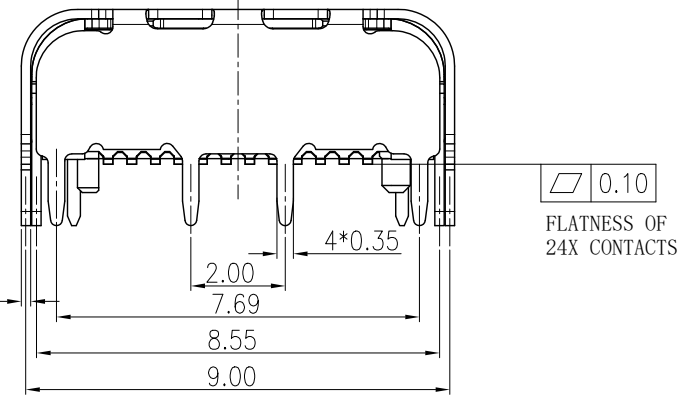
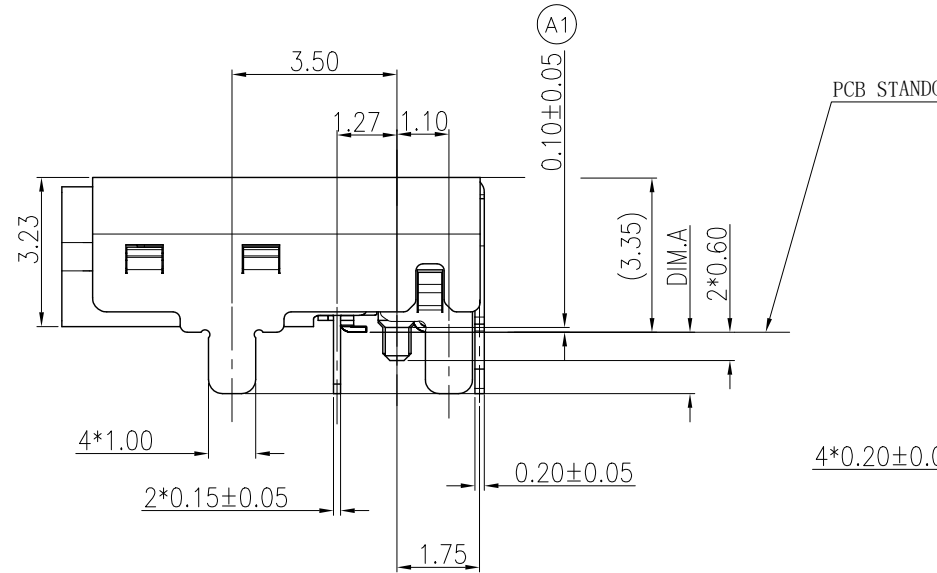
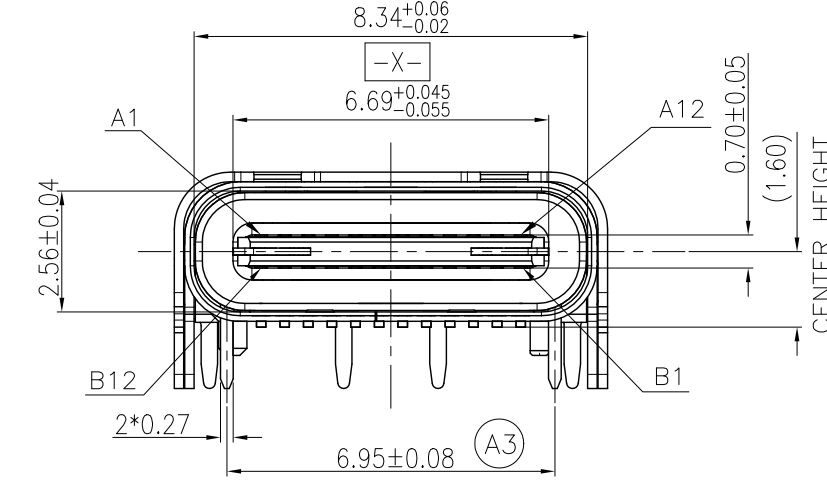
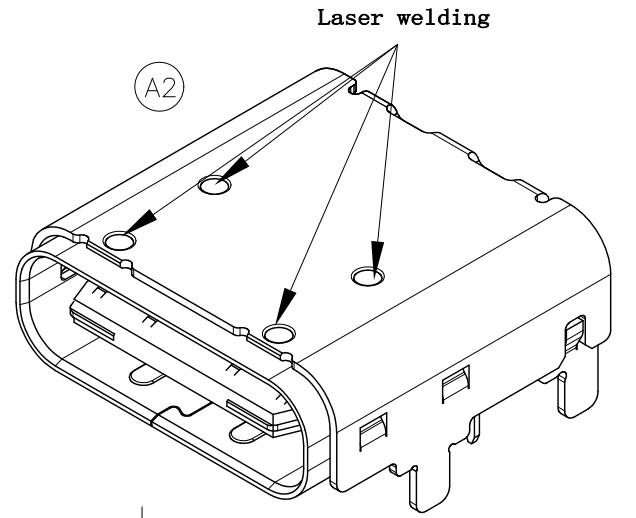
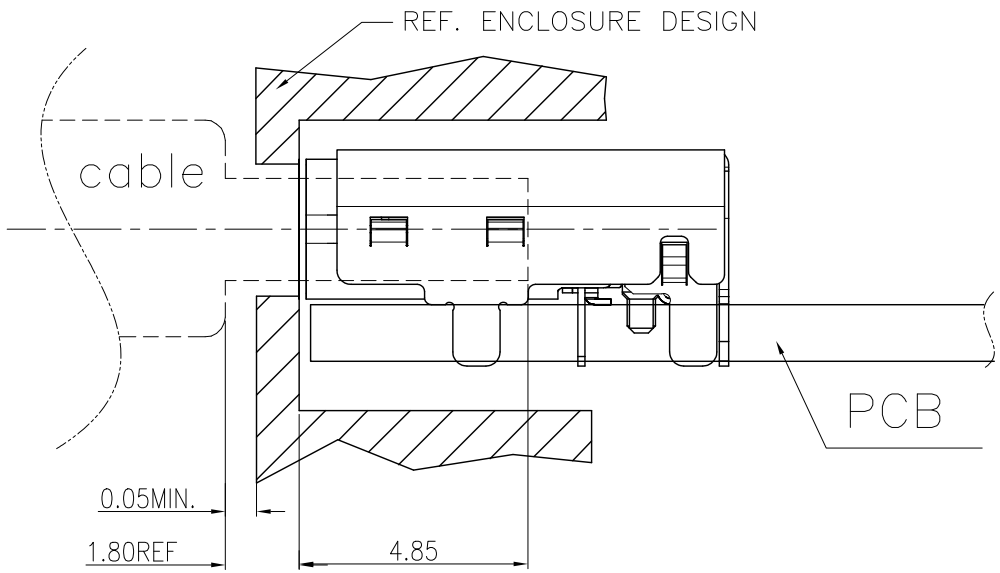
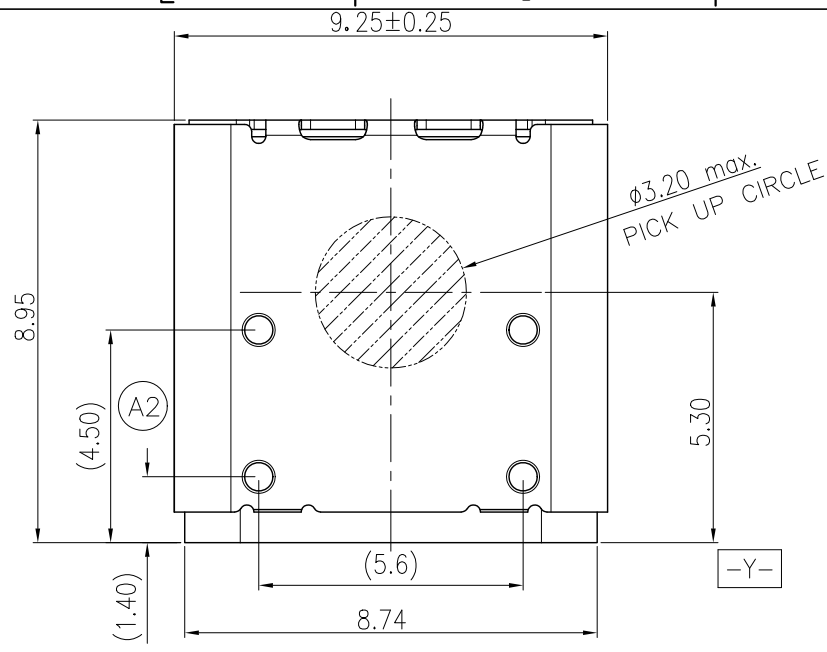


REV	ECN.NO	APPD.
A	XYX-183BZ-24TC-18301	ZHENBO LIU
B	XYX-183BZ-24TC-18301	QiaoZhen LIN



⑥	TOP CONTACT	1 SET	COPPER ALLOY	50u" MIN. Ni UNDER PLATING. 80u" MIN. MATTE TIN PLATING ON SOLDER AREA.
⑤	BOTTOM CONTACT	1 SET	COPPER ALLOY	GOLD PLATING ON CONTACT AREA.(SEE PART NUM)
④	SHIELDING PLATE	1 PCS	STAINLESS	50u" MIN. SOLDERABLE Ni PLATING OVERALL.
③	HOUSING	1 PCS	THERMOPLASTIC.	UL94V-0
②	SHELL	1 PCS	STAINLESS	50u" MIN. SOLDERABLE Ni PLATING OVERALL.
①	TOP SHELL	1 PCS	STAINLESS	50u" MIN. SOLDERABLE Ni PLATING OVERALL.
ITFM	PART NAME	QTY	MATERIAL	REMARK

此文件为双方检验的唯一标准  
This document is the only standard for inspection by both parties

GENERAL TOLERANCE  
X.±0.30 x.'±1'  
.X±0.25 .x'±0.1'  
.XX±0.20  
.XXX±0.10

THESE DRAWINGS AND SPECIFICATIONS ARE THE PROPERTY OF RIBAO IN TEECONNECT TECHNOLOGY LIMITED, AND SHALL NOT BE REPRODUCED COPIED OR USED IN ANY MANNER WITHOUT THE PRIOR WRITTEN CONSENT OF XINYEXING INTERCONNECTEC HNOLOGY LIMITEDCT

UNITS	mm
MAT'L	
FINISH	
Q'TY	
NAME(INTENDED USE)	USB TYPE C DUAL SMT, CH1.6mm
PART NO.(INTENDED USE)	XYX-183BZ-24TC-18301
APPD:	ZHENBO LIU 12/04'16
CHKD:	QiaoZhen LIN 12/04'16
DR:	ZHIYI LI 12/04'16

**深圳市日宝电子科技有限公司**  
Shenzhen RB Electronic Technology Co., Ltd.

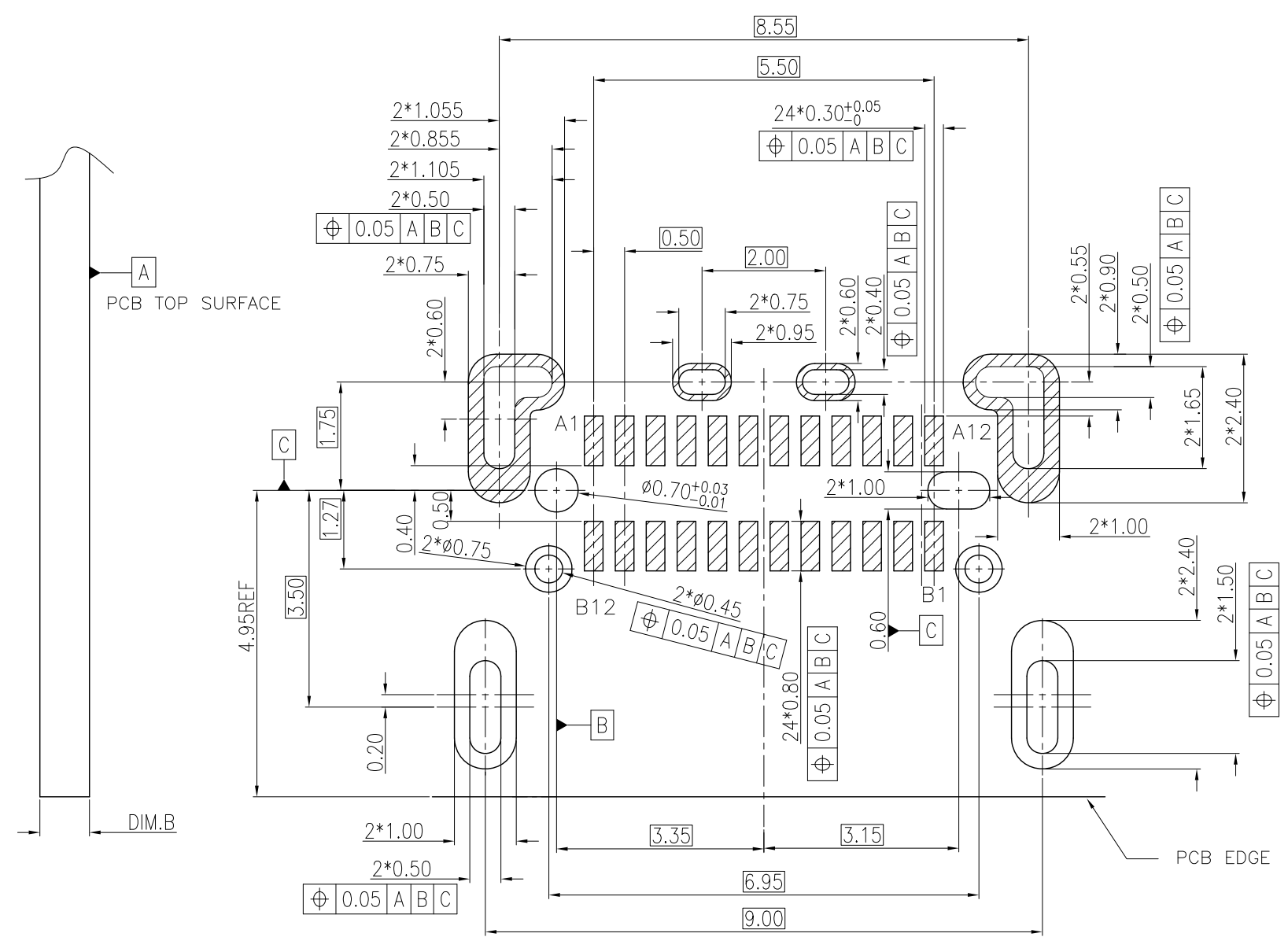
CLASS:  CONFIDENTIAL  SECRET  GENERAL

TITLE.: CUSTOMER DRAWING

DWG NO.:

SHEET	SCALE	REV
1/3	1:1	B

REV	ECN.NO	APPD.
A	XYX-183BZ-24TC-18301	ZHENBO LIU
B	XYX-183BZ-24TC-18301	QiaoZhen LIN



- NOTES:
- ELECTRICAL CHARACTERISTICS :
    - CONTACT CURRENT RATING: 5.0 A FOR VBUS PIN AND ITS CORRESPONDING GND PIN. 0.25 A MIN FOR ALL OTHER CONTACTS.
    - CONTACT RESISTANCE: INITIAL 40 mΩ Max. AFTER 50 mΩ Max.
    - DIELECTRIC WITHSTANDING VOLTAGE : 100 VRMS AC MIN.
    - INSULATION RESISTANCE: 100 MEGOHMS MIN.
  - MECHANICAL CHARACTERISTICS:
    - CONNECTOR INSERTION FORCE: 5~20N. AT A MAXIMUM RATE OF 12.5MM PER SECOND.
    - CONNECTOR EXTRACTION FORCE: 8~20N FORM 1000 CYCLES 6~20N FORM 1000 to 10000 CYCLES
    - DURABILITY: 10000 CYCLES.
    - OPERATING TEMPERATURE: -55°C TO +85°C
  - DIMENSIONS ARE IN MILLIMETERS, BRACKETED DIMENSIONS ARE INCHES EQUIVALENTS.
  - RECOMMENDED PROCESS: IR REFLOW 260°C, 10 SECONDS.
  - THE CONNECTOR IS ROHS COMPLIANT.

PIN	SIGNAL NAME	PIN	SIGNAL N
A1	GND	B12	GND
A2	SSTXp1	B11	SSRXp1
A3	SSTXn1	B10	SSRXn1
A4	VBUS	B9	VBUS
A5	CC1	B8	SBU2
A6	Dp1	B7	Dn2
A7	Dn1	B6	Dp2
A8	SBU1	B5	CC2
A9	VBUS	B4	VBUS
A10	SSRXn2	B3	SSTXn2
A11	SSRXp2	B2	SSTXp2
A12	GND	B1	GND

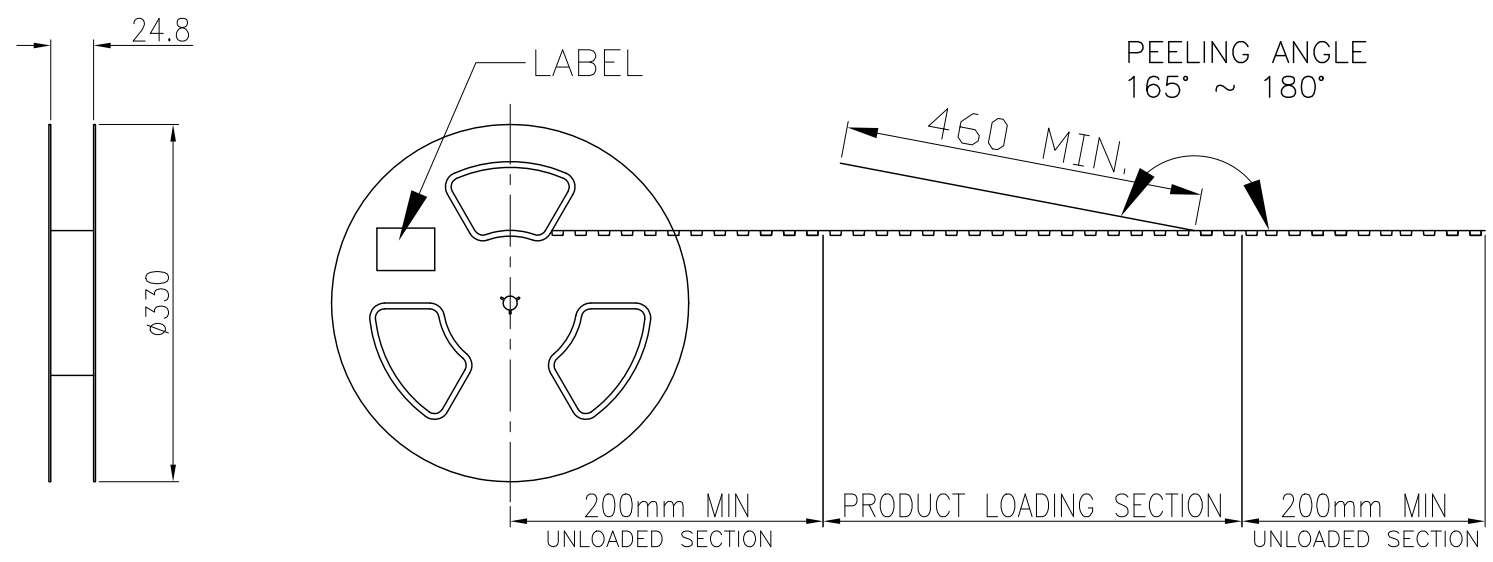
RECOMMENDED PCB LAYOUT TOLERANCE ±0.05MM.

此文件为双方检验的唯一标准  
This document is the only standard for inspection by both parties

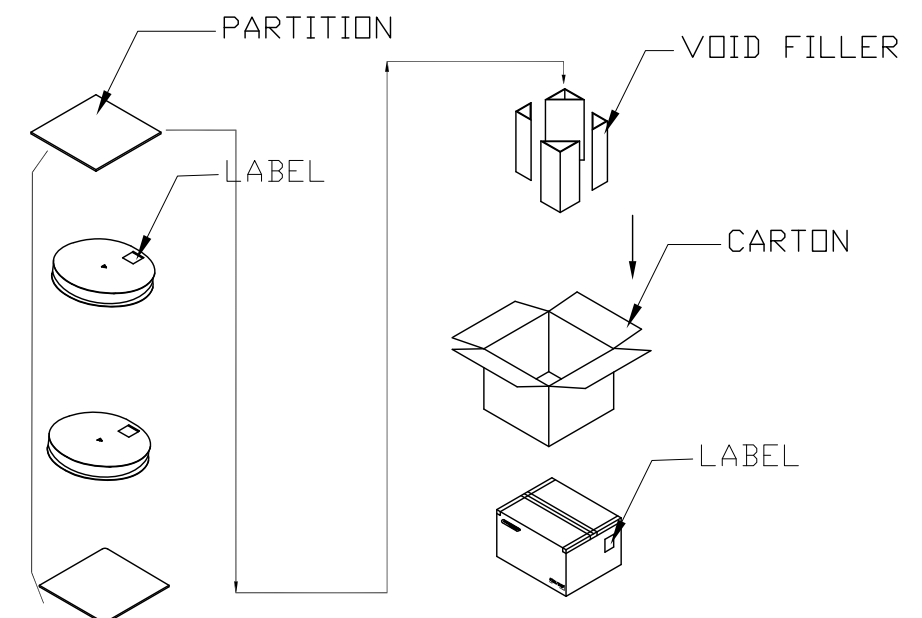
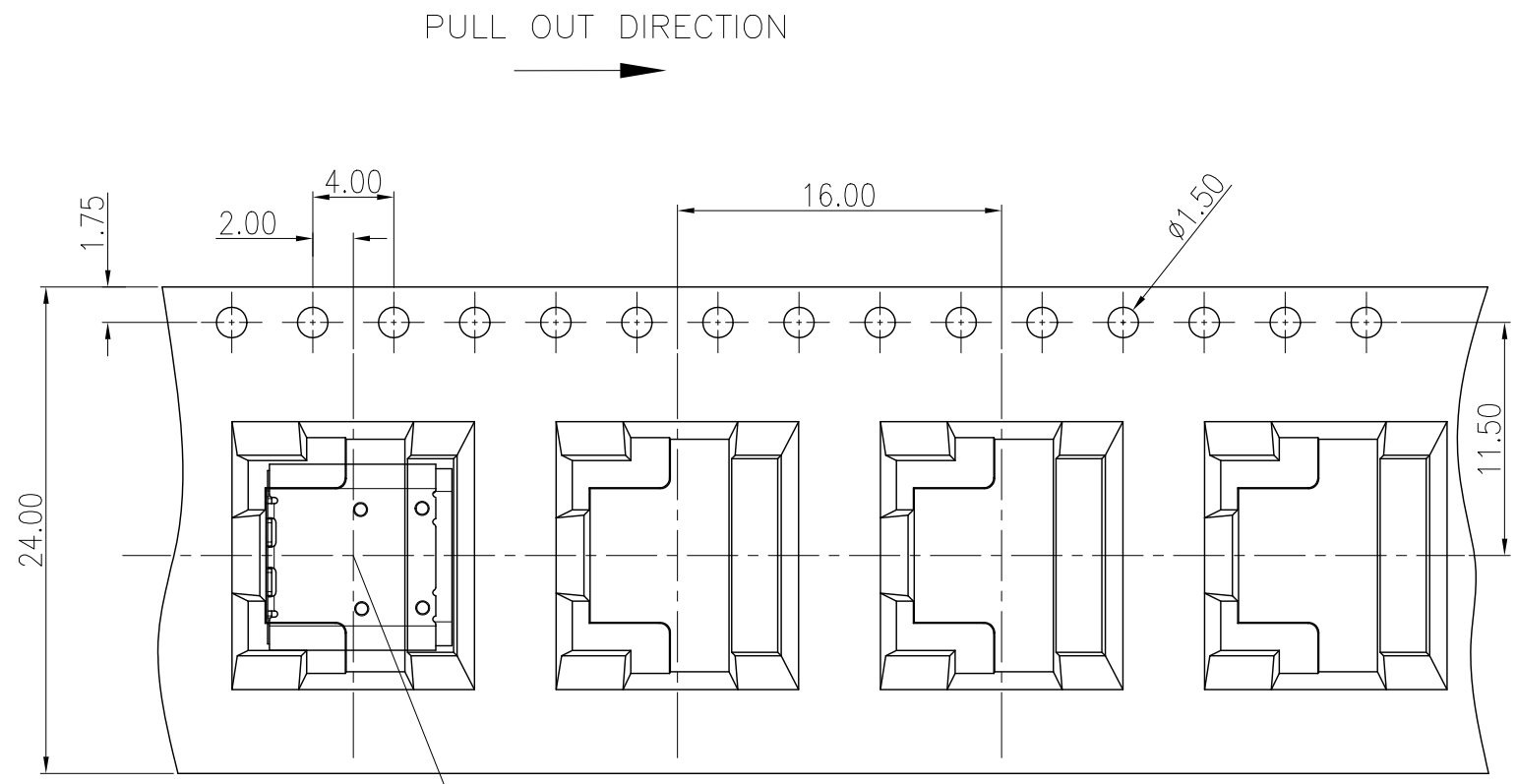
GENERAL TOLERANCE X.±0.30 x.±1' .X±0.25 .x±0.1' .XX±0.20 .XXX±0.10	UNITS	mm	NAME(INTENDED USE) USB TYPE C DUAL SMT, CH1.6mm	深圳市日宝电子科技有限公司 Shenzhen RB Electronic Technology Co., Ltd.
	MAT'L			
	FINISH		APPD: ZHENBO LIU 12/04'16 CHKD: QiaoZhen LIN 12/04'16 DR: ZHIYI LI 12/04'16	CLASS: <input type="checkbox"/> CONFIDENTIAL <input type="checkbox"/> SECRET <input checked="" type="checkbox"/> GENERAL TITLE.: CUSTOMER DRAWING DWG NO.:
	Q'TY			SHEET: 2/3 SCALE: 1:1 REV: B

THESE DRAWINGS AND SPECIFICATIONS ARE THE PROPERTY OF RIBAO IN TEECONNECT TECHNOLOGY LIMITED.AND SHALL NOT BE REPRODUCED COPIED OR USED IN ANY MANNER WITHOUT THE PRIOR WRITTEN CONSENT OF XINYEXING INTERCONNECTEC HNOLGY LIMITEDCT

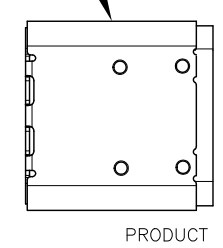
REV	ECN.NO	APPD.
A	XYX-183BZ-24TC-18301	ZHENBO LIU
B	XYX-183BZ-24TC-18301	QiaoZhen LIN



- NOTES :
- MATERIAL :  
COVER TAPE : P.S T=0.05mm  
CARRIER TAPE : P.S T=0.40mm  
CARTON: CORRUGATED FIBER
  - DIMENSION :  
REEL : SEE DRAWING  
SHIPPING BOX: 350X350X300mm
  - QUANTITY : SEE TABLE
  - PEELING RESISTANCE : 10gf~130gf (for 12~56mm)
  - PEELING SPEED : 300mm/MINUTES



800	9	7200
PCS/REEL	REEL/BOX	TOTAL Q'TY




此文件为双方检验的唯一标准  
This document is the only standard for inspection by both parties

GENERAL TOLERANCE  
X.±0.30 x.\*±1\*  
.X±0.25 .x\*±0.1\*  
.XX±0.20  
.XXX±0.10

THESE DRAWINGS AND SPECIFICATIONS ARE THE PROPERTY OF RIBAO IN TEECONNECT TECHNOLOGY LIMITED.AND SHALL NOT BE REPRODUCED COPIED OR USED IN ANY MANNER WITHOUT THE PRIOR WRITTEN CONSENT OF XINYEXING INTERCONNECTEC HNOLGY LIMITEDCT


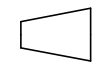
UNITS	mm
MAT'L	
FINISH	
Q'TY	
NAME(INTENDED USE)	USB TYPE C DUAL SMT, CH1.6mm
PART NO.(INTENDED USE)	XYX-183BZ-24TC-18301
APPD:	ZHENBO LIU 12/04'16
CHKD:	QiaoZhen LIN 12/04'16
DR:	ZHIYI LI 12/04'16

 **深圳市日宝电子科技有限公司**  
Shenzhen RB Electronic Technology Co., Ltd.

CLASS:  CONFIDENTIAL  SECRET  GENERAL

TITLE.: CUSTOMER DRAWING

DWG NO.:

		SHEET	SCALE	REV
		3 / 3	1:1	B