

REV	ECN.NO	APPD.
A	XYX-202CZ-24TC-20201	ZHENBO LIU
B	XYX-202CZ-24TC-20201	QiaoZhen LIN

DATE CODE :
 L XX XX
 ① ② ③
 1.factory
 (L.longgang T.tianjin K.kunshan)
 2.year(00-99)
 3.week(01-53)

TABLE A: PRODUCT NUMBERING CODE
 PRODUCT NUMBERING CODE

NCP21	-	A	K	5	3	5	0
①	②	③	④	⑤	⑥	⑦	

1. CONNECTOR TYPE:
 NCP21 :TYPE C WATER-PROOF RECEPTACLE
 MID MOUNT TYPE CH=0.65 FOR
 USB3.0 GEN1

2. NO. OF POSITION:
 A: 24 POSITIONS.

3. COLOR OF INSULATOR:
 K: BLACK.

4. PLATING OF CONTACT:
 5: Au 30u"

5. PLATING OF FRONT SHELL & LOGO
 3: SOLDERING NICKEL W/O ACON LOGO

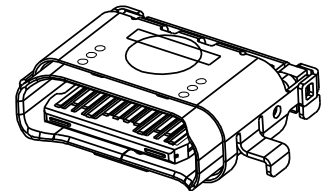
6. MATERIAL OF HOUSING
 5: PA46

7: PACKING & OTHER
 0: TAPE REEL

TABLE B:
 PLATING SPECIFICATION:

CONTACT: AREA PLATED Au 30 u". SOLDER TAIL PLATED GOLD FLASH.
 UNDERPLATED Ni 50-120u"
 OUTER SHELL: SOLDERABLE Ni 50-120u"
 MAIN SHELL: Ni 50-120u"
 GROUND PLATED: SOLDERABLE Ni 50-120u"

5	OUTTER SHELL	I	~	SUS304 / SOLDERABLE Ni PLATED
4	SHELL	I	~	SUS304 / Ni PLATED
3	GROUND PLATED	I	~	SUS301 / SOLDERABLE Ni PLATED
2	CONTACT	24	~	C18400 / SEE TABLE A
1	HALF PRODUCT	I	~	PA46 UL94V-0
ITEM	NAME	Q'TY	PART #	MATERIAL / FINISH



PIN NO.	A1	A2	A3	A4	A5	A6	A7	A8	A9	A10	A11	A12
SIGNAL NAME	GND	SSTXp1	SSTXn1	VBUS	CC1	Dp1	Dn1	SBU1	VBUS	SSRXn2	SSRXp2	GND
PIN NO.	B12	B11	B10	B9	B8	B7	B6	B5	B4	B3	B2	B1
SIGNAL NAME	GND	SSRXp1	SSRXn1	VBUS	SBU2	Dn1	Dp1	CC2	VBUS	SSTXn2	SSTXp2	GND

THESE DRAWINGS AND SPECIFICATIONS ARE THE PROPERTY OF YINING INTECONNECT TECHNOLOGY LIMITED AND SHALL NOT BE REPRODUCED COPIED OR USED IN ANY MANNER WITHOUT THE PRIOR WRITTEN CONSENT OF YINING INTECONNECT TECHNOLOGY LIMITED.

TOLERANCES UNLESS OTHERWISE SPECIFIED: GENERAL X: ±0.30 XX: ±0.25 XXX: ±0.05 ANGLES X': ±3.0° XX': ±1.0°	UNITS	NAME (INTENDED USE) TYPE C WATER-PROOF RECEPTACLE MID MOUNT TYPE CH=0.65 FOR USB3.0 GEN1 (FOR HUAWEI ONLY)
	MAT'L	PART NO. (INTENDED USE) XYX-202CZ-24TC-20201
	FINISH	APPD: ZHENBO LIU 12/04'16
	Q'TY	HKD: QiaoZhen LIN 12/04'16
		DR: ZHIYI LI 12/04'16

深圳市日宝电子科技有限公司
 Shenzhen RB Electronic Technology Co., Ltd.

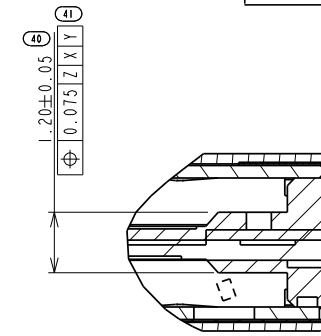
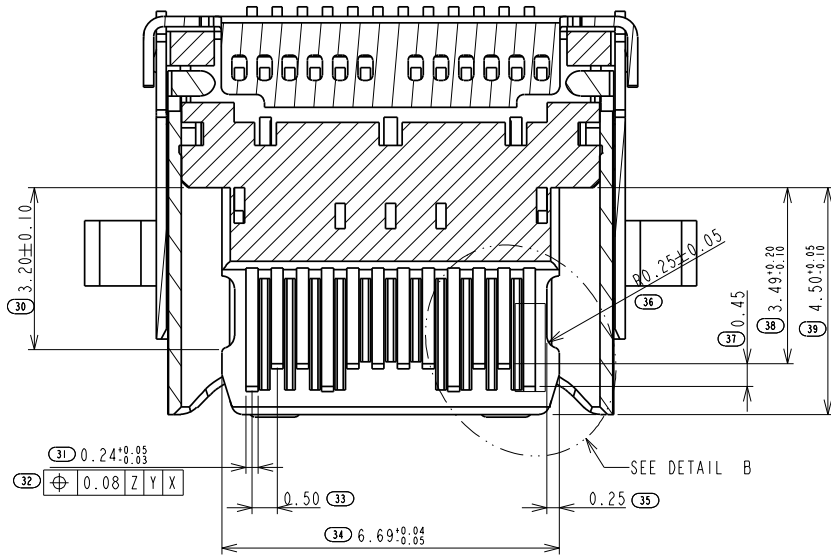
CLASS: CONFIDENTIAL SECRET GENERAL

TITLE: CUTOMER DRAWING

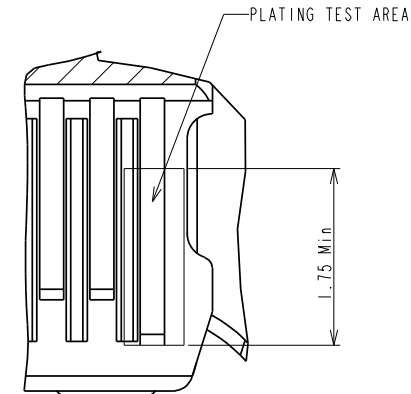
DWG NO.:

	SHEET	SCALE	REV
	1/3	1:1	B

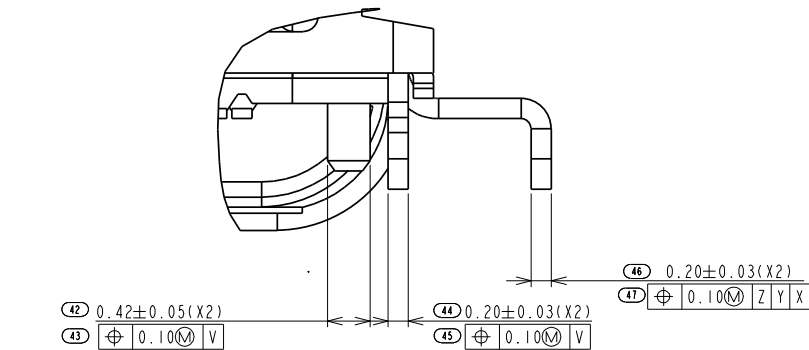
REV	ECN.NO	APPD.
A	XYX-202CZ-24TC-2020	ZHENBO LIU
B	XYX-202CZ-24TC-2020	QiaoZhen LIN




DETAIL A
SCALE 10:1



DETAIL B
SCALE 20:1

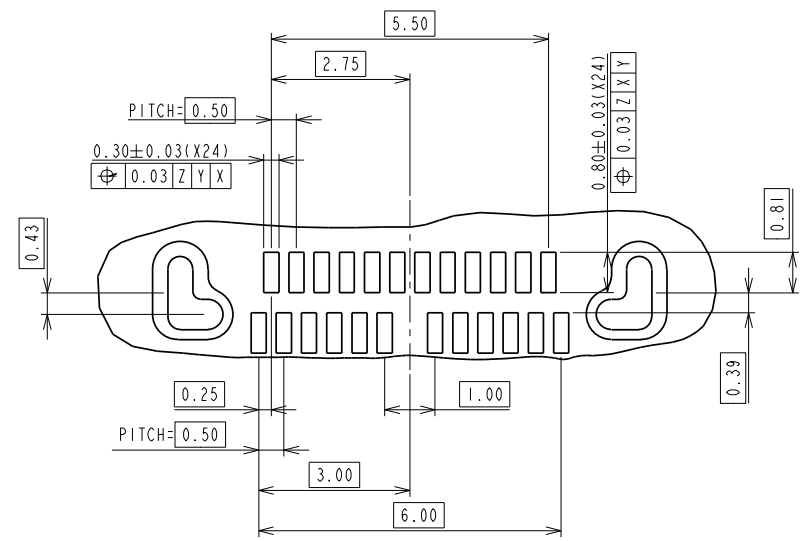
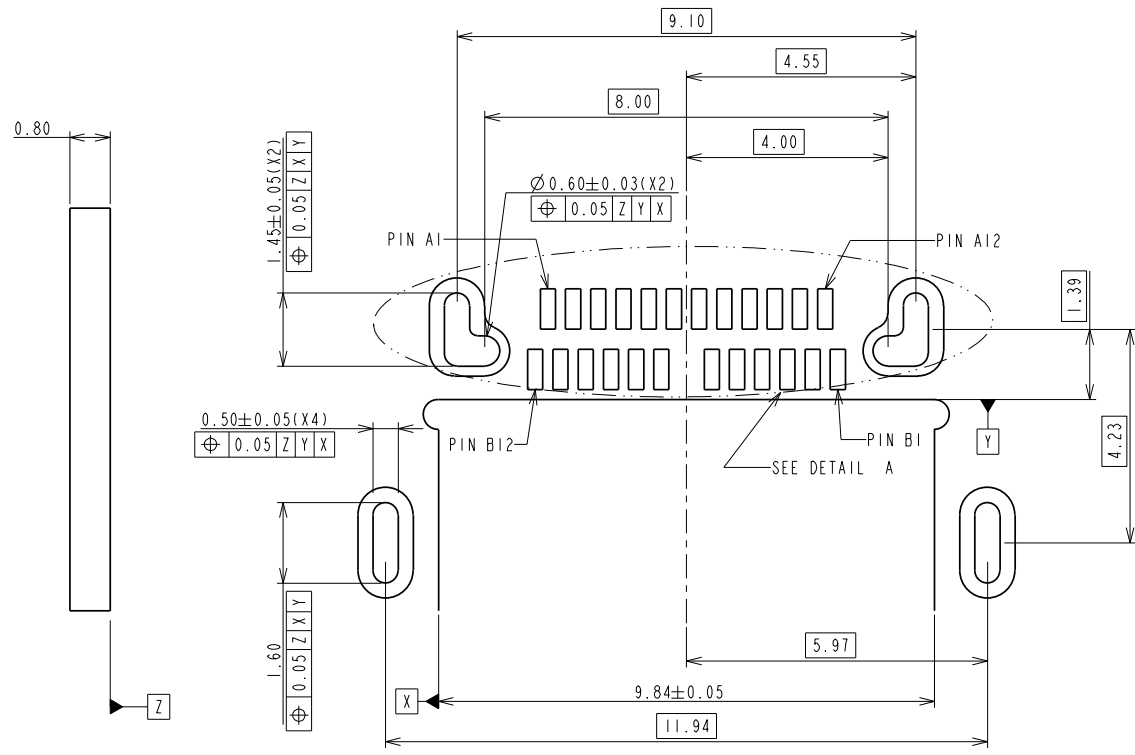


DETAIL C
SCALE 20:1

TOLERANCES UNLESS OTHERWISE SPECIFIED GENERAL X ±0.38 Y ±0.25 XX ±0.13 XXX ±0.05 ANGLES X° ±3.0° XX' ±2.0° XXX' ±1.0°	UNITS	NAME (INTENDED USE)	 深圳市日宝电子科技有限公司 Shenzhen RB Electronic Technology Co., Ltd.						
	MAT'L	TYPE C WATER-PROOF RECEPTACLE MID MOUNT TYPE CH=0.65 FOR USB3.0 GEN1 (FOR HUAWEI ONLY)		CLASS: <input type="checkbox"/> CONFIDENTIAL <input type="checkbox"/> SECRET <input type="checkbox"/> GENERAL					
	FINISH	PART NO. (INTENDED USE)	TITLE: CUTOMER DRAWING						
	Q'TY	APPD: ZHENBO LIU 12/04'16 HKD: QiaoZhen LIN 12/04'16 DR: ZHIYI LI 12/04'16	DWG NO.:	<table border="1"> <tr> <td>SHEET</td> <td>SCALE</td> <td>REV</td> </tr> <tr> <td>2/3</td> <td>1:1</td> <td>B</td> </tr> </table>	SHEET	SCALE	REV	2/3	1:1
SHEET	SCALE	REV							
2/3	1:1	B							



REV	ECN.NO	APPD.
A	XYX-202CZ-24TC-20201	ZHENBO LIU
B	XYX-202CZ-24TC-20201	QiaoZhen LIN



RECOMMENDED PCB LAYOUT
THICKNESS IS 0.8mm
TOLERANCE ± 0.05 mm

DETAIL A
SCALE 10:1

NOTES:

- 1.0. ELECTRICAL CHARACTERISTICS:
 - 1.1. LOW LEVEL CONTACT RESISTANCE:
INITIAL: 30mΩ FOR VBUS AND GND CONTACT MAX.
40mΩ FOR OTHER CONTACT MAX.
AFTER : 10mΩ MAX CHANGE.
 - 1.2. DIELECTRIC WITHSTANDING VOLTAGE:
100 VAC FOR 1 MINUTE SEA LEVEL.
 - 1.3. INSULATION RESISTANCE:
100MΩ MIN.
 - 1.4. CURRENT RATING:
1.25A AT 250 VAC MIN. FOR VBUS PIN
0.25A AT 250 VAC MIN. FOR OTHER CONTACT
- 2.0. MECHANICAL CHARACTERISTICS:
 - 2.1. DURABILITY : 10,000 CYCLES
 - 2.2. INSERTION FORCE: 20N MAX
 - 2.3. EXTRACTION FORCE:
0-1000 CYCLE 8N MIN. 20 N MAX.
1001-10000 CYCLE 6N MIN. 20 N MAX.
- 3.0 OPERATING TEMPERATURE: -55°C TO +85°C

TOLERANCES UNLESS OTHERWISE SPECIFIED: GENERAL X ±0.38 .XX ±0.25 .XXX ±0.05 ANGLES X° ±3.0° XX' ±3.0° XXX' ±1.0°	UNITS	NAME(INTENDED USE) TYPE C WATER-PROOF RECEPTACLE MID MOUNT TYPE CH=0.65 FOR USB3.0 GENT (FOR HUAWEI ONLY)		深圳市日宝电子科技有限公司 Shenzhen RB Electronic Technology Co., Ltd.	
	MAT'L	PART NO.(INTENDED USE) XYX-202CZ-24TC-20201	CLASS: <input type="checkbox"/> CONFIDENTIAL <input type="checkbox"/> SECRET <input type="checkbox"/> GENERAL		
	FINISH	APPD: ZHENBO LIU 12/04'16	TITLE: CUTOMER DRAWING		
	Q'TY	HKD: QiaoZhen LIN 12/04'16 DR: ZHIYI LI 12/04'16	DWG NO.:		
THESE DRAWINGS AND SPECIFICATIONS ARE THE PROPERTY OF YEJING IN TECONNECT TECHNOLOGY LIMITED AND SHALL NOT BE REPRODUCED COPIED OR USED IN ANY MANNER WITHOUT THE PRIOR WRITTEN CONSENT OF YEJING IN TECONNECT TECHNOLOGY LIMITED.			SHEET 3/3	SCALE 1:1	REV B