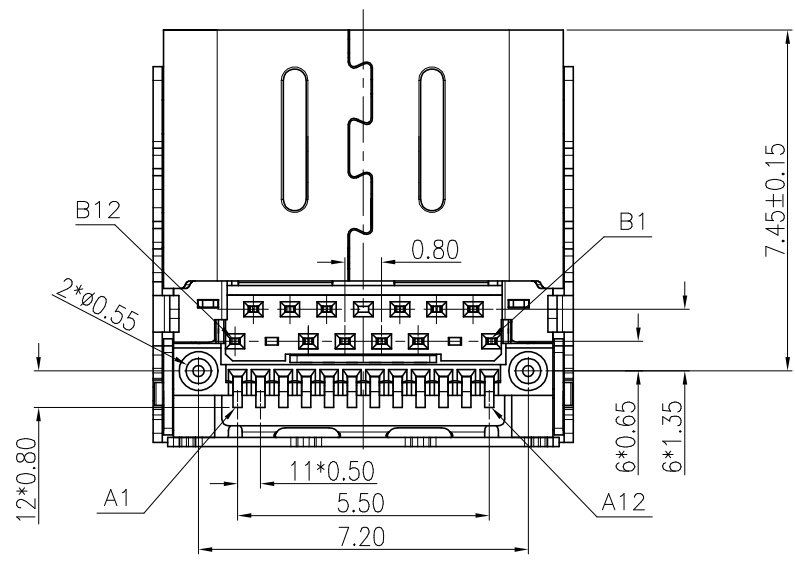
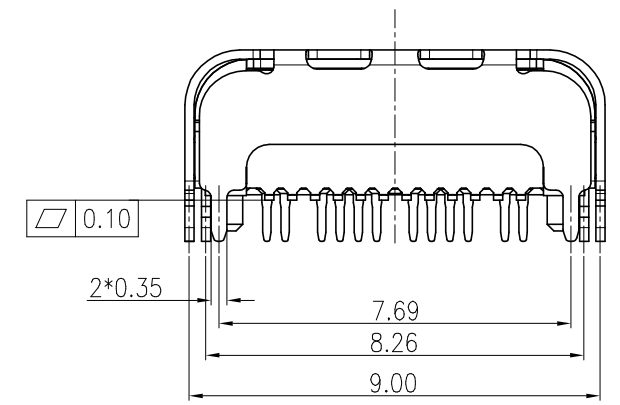
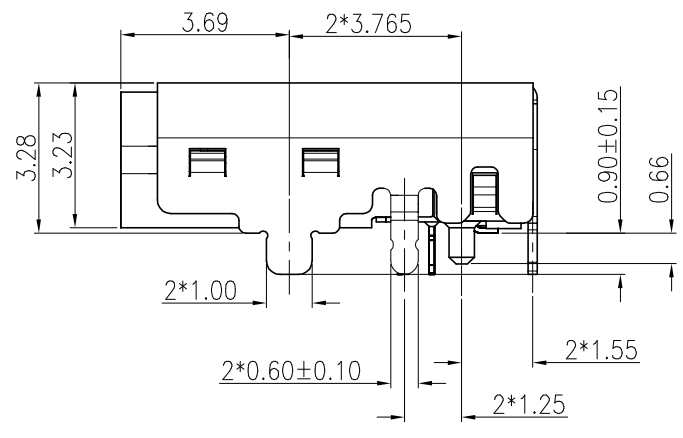
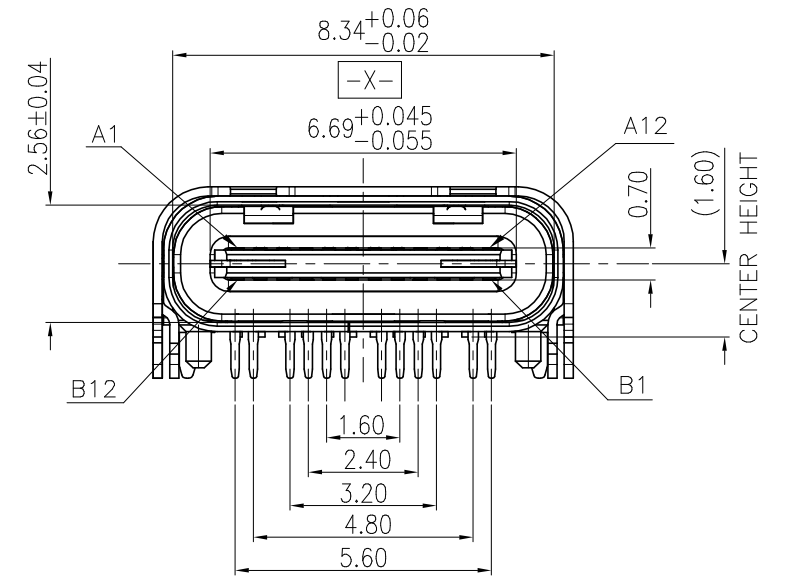
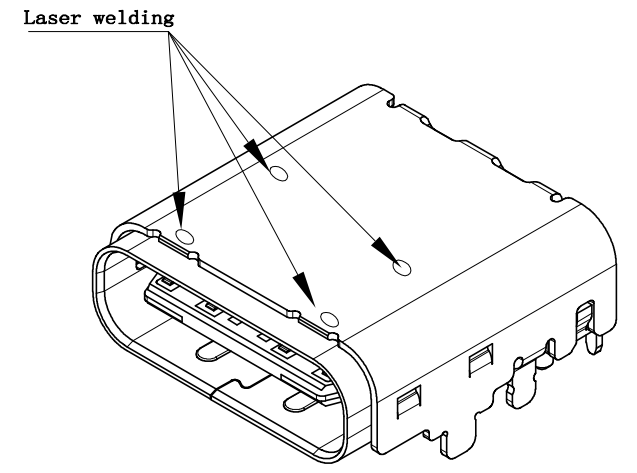
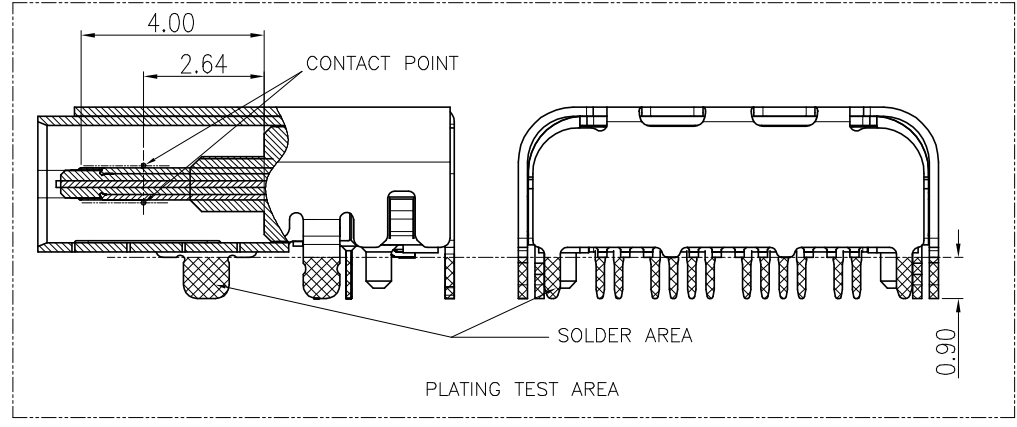
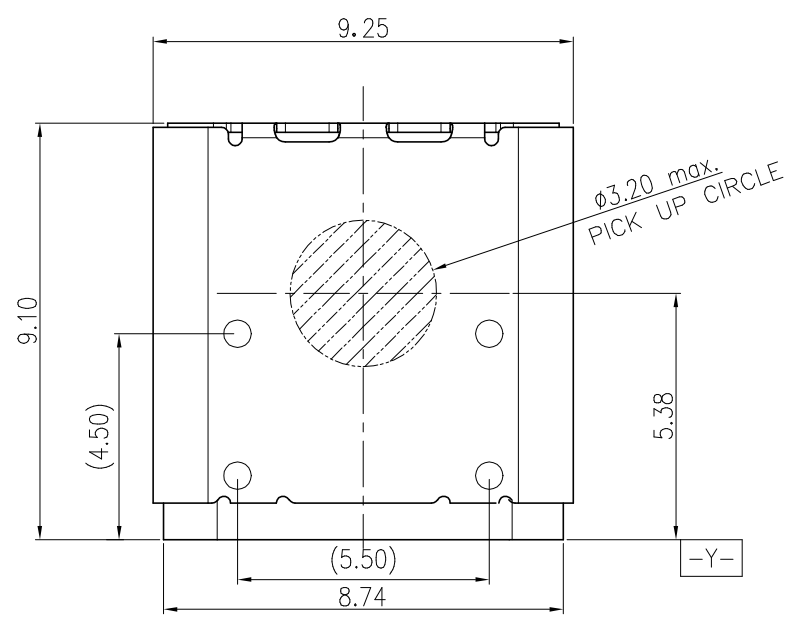


REV	ECN.NO	APPD.
A	XYX-183BZ-24TC-18303	ZHENBO LIU
B	XYX-183BZ-24TC-18303	QiaoZhen LIN



⑦	TOP CONTACT	1 SET	COPPER ALLOY	50u" MIN. NI UNDER PLATING.
⑥	BOTTOM CONTACT	1 SET	COPPER ALLOY	80u" MIN. MATTE TIN PLATING ON SOLDER AREA.
⑤	EMI SPRING	1 PCS	STAINLESS STEEL	NO PLATING
④	MID PLATE	1 PCS	STAINLESS STEEL	NO PLATING
③	HOUSING	1 PCS	THERMOPLASTIC.	UL94V-0
②	INNER SHELL	1 PCS	STAINLESS STEEL	50u" MIN. NI PLATING ON SOLDER AREA
①	TOP SHELL	1 PCS	STAINLESS STEEL	50u" MIN. SOLDERABLE NI PLATING ON SOLDER AREA
NO.	PART NAME.	QTY.	MATERIAL	FINISH

此文件为双方检验的唯一标准
This document is the only standard for inspection by both parties

GENERAL TOLERANCE	UNITS	mm	NAME(INTENDED USE)
X.±0.30	x.°±1°		USB 3.1 TYPE C REC
.X±0.25	.x°±0.1°	MAT'L	DIP&SMT
.XX±0.20		FINISH	PART NO.(INTENDED USE)
.XXX±0.10		Q'TY	XYX-183BZ-24TC-18303
THESE DRAWINGS AND SPECIFICATIONS ARE THE PROPERTY OF RIBAO IN TEECONNECT TECHNOLOGY LIMITED.AND SHALL NOT BE REPRODUCED COPIED OR USED IN ANY MANNER WITHOUT THE PRIOR WRITTEN CONSENT OF XINYEXING INTERCONNECTEC HNOLGY LIMITEDCT			APPD: ZHENBO LIU 12/04'16
			CHKD: QiaoZhen LIN 12/04'16
			DR: ZHIYI LI 12/04'16

深圳市日宝电子科技有限公司
Shenzhen RB Electronic Technology Co., Ltd.

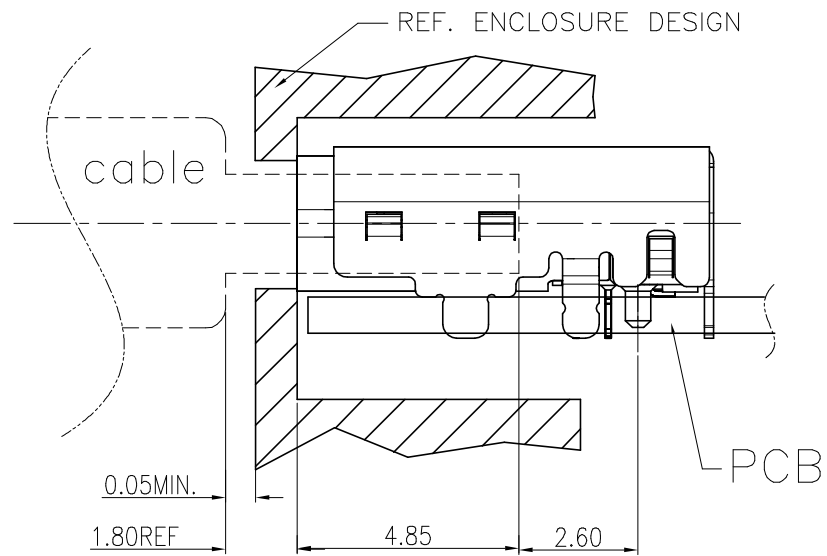
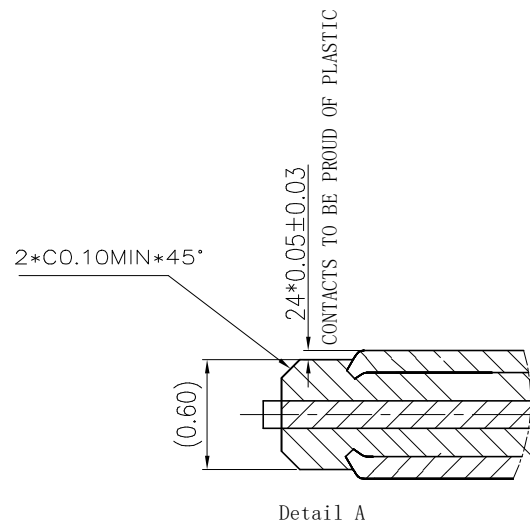
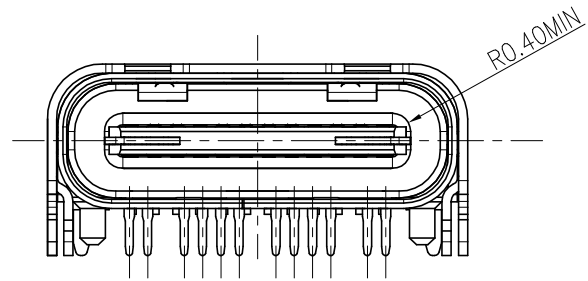
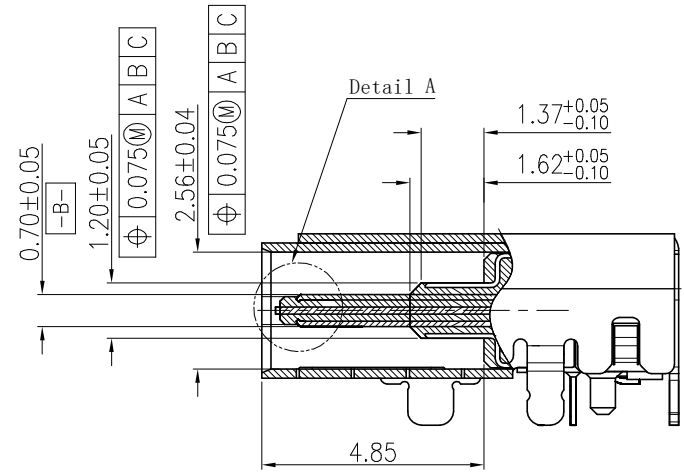
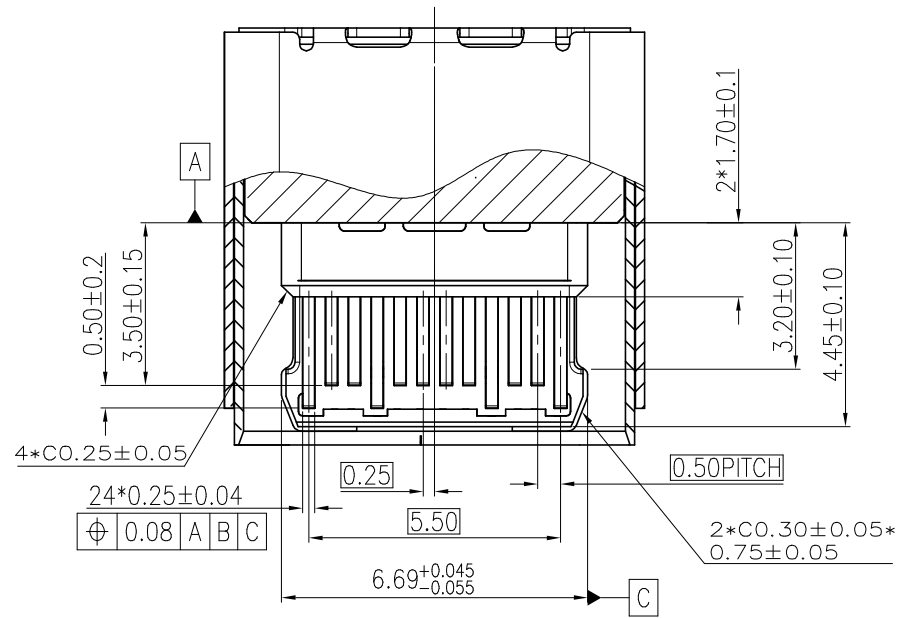
CLASS: CONFIDENTIAL SECRET GENERAL

TITLE.: CUSTOMER DRAWING

DWG NO.:

SHEET	SCALE	REV
1 / 4	1:1	B

REV	ECN.NO	APPD.
A	XYX-183BZ-24TC-18303	ZHENBO LIU
B	XYX-183BZ-24TC-18303	QiaoZhen LIN



此文件为双方检验的唯一标准
This document is the only standard for inspection by both parties


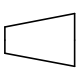
GENERAL TOLERANCE X.±0.30 x.°±1° .X±0.25 .x°±0.1° .XX±0.20 .XXX±0.10	UNITS	mm	NAME(INTENDED USE) USB 3.1 TYPE C REC DIP&SMT
	MAT'L		
THESE DRAWINGS AND SPECIFICATIONS ARE THE PROPERTY OF RIBAO IN TEECONNECT TECHNOLOGY LIMITED.AND SHALL NOT BE REPRODUCED COPIED OR USED IN ANY MANNER WITHOUT THE PRIOR WRITTEN CONSENT OF XINYEXING INTERCONNECTEC HNOLGY LIMITEDCT	FINISH		APPD: ZHENBO LIU 12/04'16
	Q'TY		CHKD: QiaoZhen LIN 12/04'16 DR: ZHIYI LI 12/04'16

 **深圳市日宝电子科技有限公司**
Shenzhen RB Electronic Technology Co., Ltd.

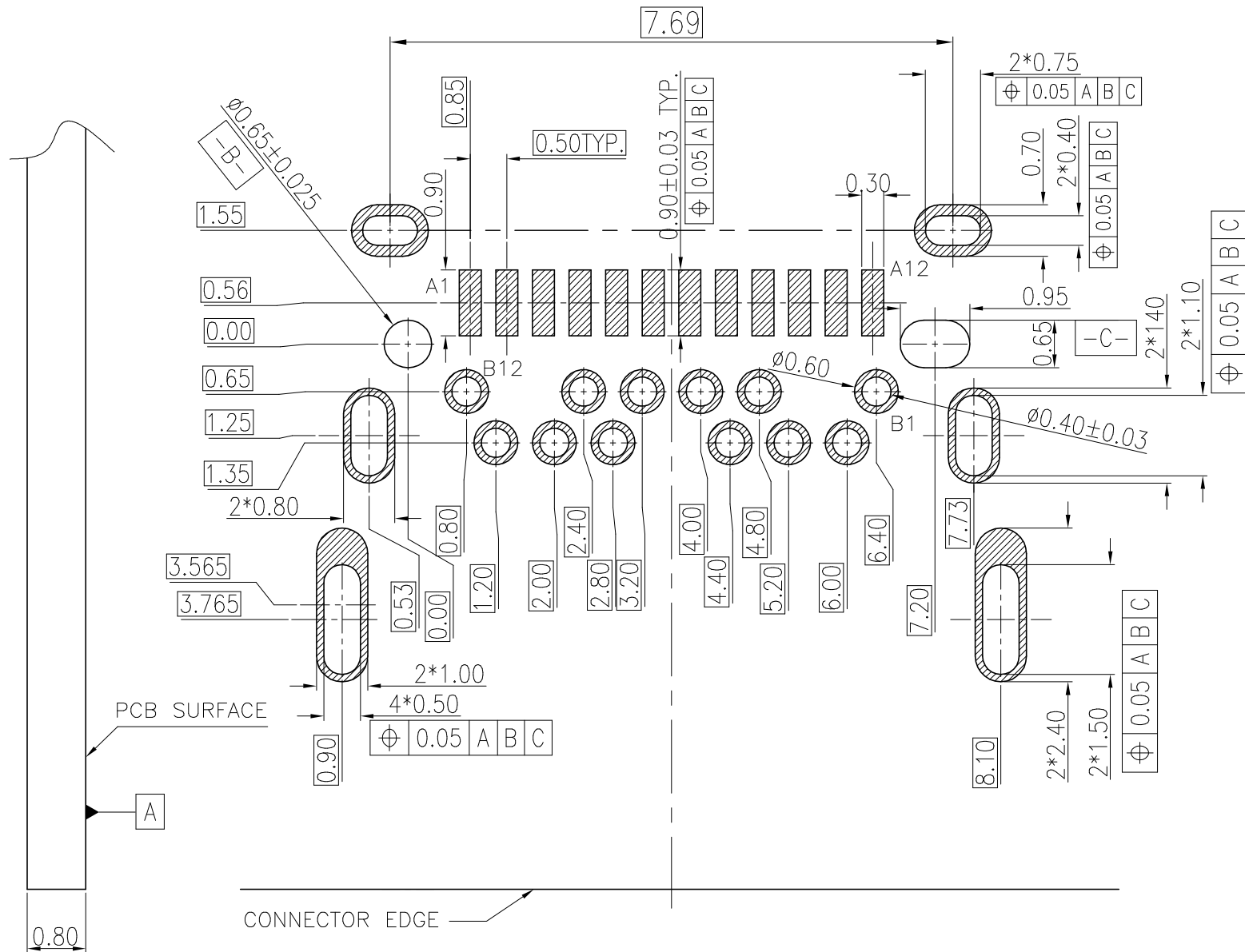
CLASS: CONFIDENTIAL SECRET GENERAL

TITLE.: CUSTOMER DRAWING

DWG NO.:

		SHEET	SCALE	REV
		2 / 4	1:1	B

REV	ECN.NO	APPD.
A	XYX-183BZ-24TC-18303	ZHENBO LIU
B	XYX-183BZ-24TC-18303	QiaoZhen LIN




NOTES:

- ELECTRICAL CHARACTERISTICS :
 - CONTACT CURRENT RATING:
 - 5.0 A FOR VBUS PIN AND ITS CORRESPONDING GND PIN.
 - 0.25 A MIN FOR ALL OTHER CONTACTS.
 - CONTACT RESISTANCE: INITIAL 40 mΩ Max. AFTER 50 mΩ Max.
 - DIELECTRIC WITHSTANDING VOLTAGE : 100 VRMS AC MIN.
 - INSULATION RESISTANCE: 100 MEGOHMS MIN.
- MECHANICAL CHARACTERISTICS:
 - CONNECTOR INSERTION FORCE: 5~20N. AT A MAXIMUN RATE OF 12.5MM PER SECOND.
 - CONNECTOR EXTRACTION FORCE: 8~20N FORM 1000 CYCLES 6~20N FORM 1000 to 10000 CYCLES
 - DURABILITY: 10000 CYCLES.
 - OPERATING TEMPERATURE: -55°C TO +85°C
- DIMENSIONS ARE IN MILLIMETERS, BRACKETED DIMENSIONS ARE INCHES EQUIVALENTS.
- RECOMMENED PROCESS: IR REFLOW 260°C, 10 SECONDS.
- THE CONNECTOR IS ROHS COMPLIANT.

RECOMMENDED PCB LAYOUT TOLERANCE ±0.05MM.

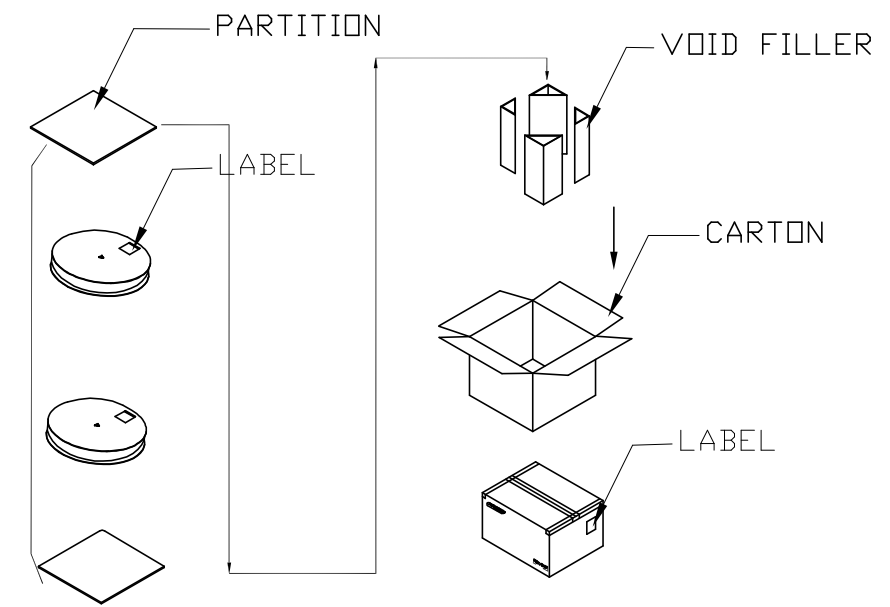
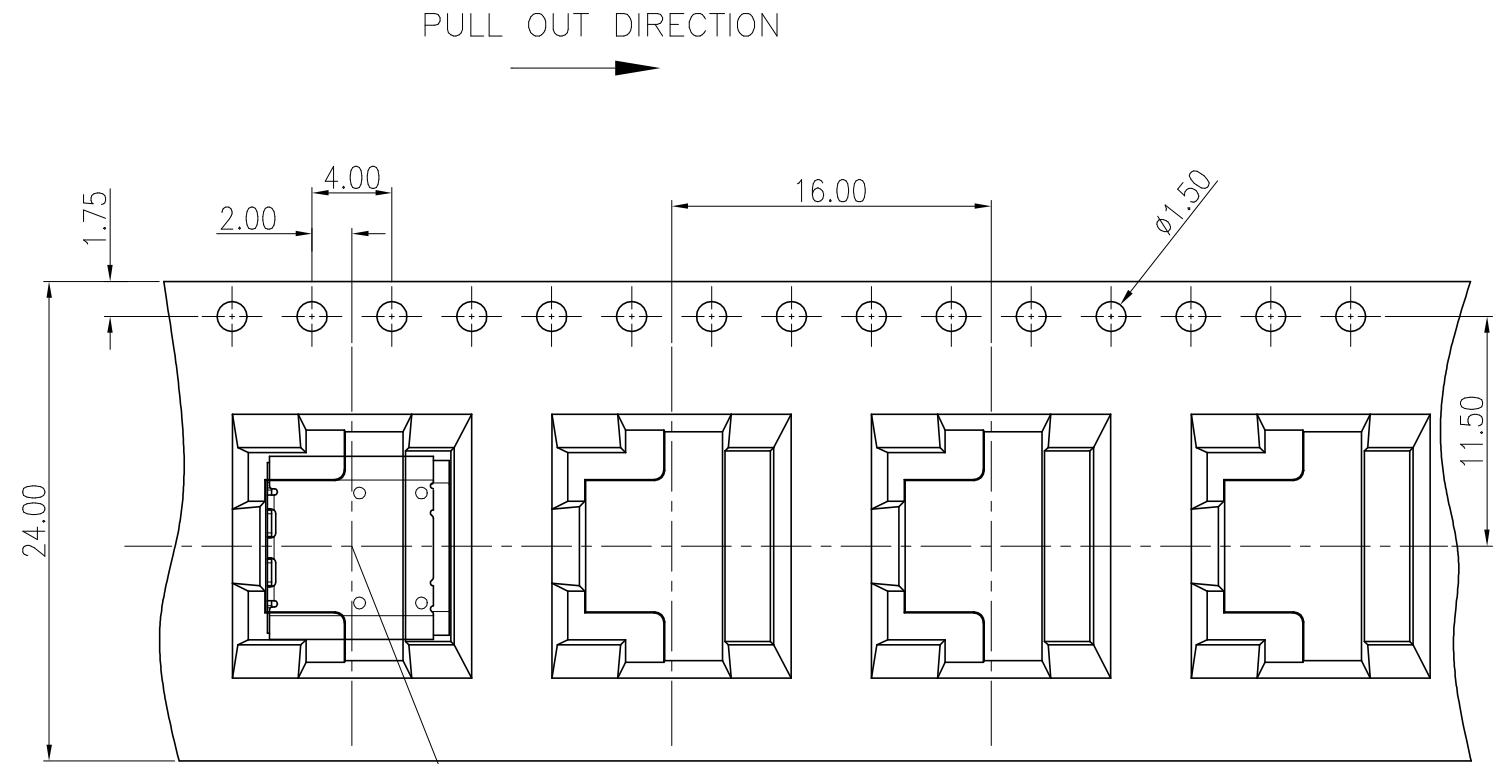
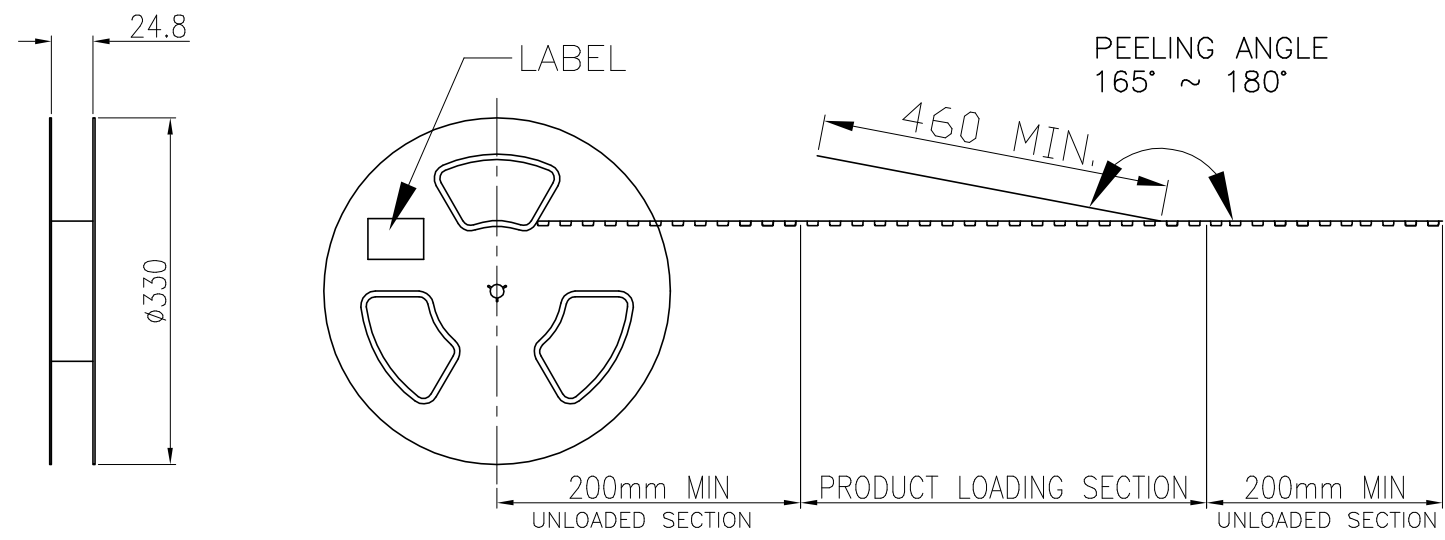
PIN	SIGNAL NAME	PIN	SIGNAL N
A1	GND	B12	GND
A2	SSTXp1	B11	SSRXp1
A3	SSTXn1	B10	SSRXn1
A4	VBUS	B9	VBUS
A5	CC1	B8	SBU2
A6	Dp1	B7	Dn2
A7	Dn1	B6	Dp2
A8	SBU1	B5	CC2
A9	VBUS	B4	VBUS
A10	SSRXn2	B3	SSTXn2
A11	SSRXp2	B2	SSTXp2
A12	GND	B1	GND

此文件为双方检验的唯一标准
This document is the only standard for inspection by both parties

GENERAL TOLERANCE X.±0.30 x:±1° .X±0.25 .x'±0.1° .XX±0.20 .XXX±0.10	UNITS mm	NAME(INTENDED USE) USB 3.1 TYPE C REC DIP&SMT	 深圳市日宝电子科技有限公司 Shenzhen RB Electronic Technology Co., Ltd.	
	MAT'L	PART NO.(INTENDED USE) XYX-183BZ-24TC-18303		CLASS: <input type="checkbox"/> CONFIDENTIAL <input type="checkbox"/> SECRET <input checked="" type="checkbox"/> GENERAL
THESE DRAWINGS AND SPECIFICATIONS ARE THE PROPERTY OF RIBAO IN TEECONNECT TECHNOLOGY LIMITED AND SHALL NOT BE REPRODUCED COPIED OR USED IN ANY MANNER WITHOUT THE PRIOR WRITTEN CONSENT OF XINYEXING INTERCONNECTEC HNOLGY LIMITEDCT	FINISH	APPD: ZHENBO LIU 12/04'16	TITLE.: CUSTOMER DRAWING	
	Q'TY	CHKD: QiaoZhen LIN 12/04'16 DR: ZHIYI LI 12/04'16	DWG NO.:	
		SHEET	SCALE	REV
		3 / 4	1:1	B

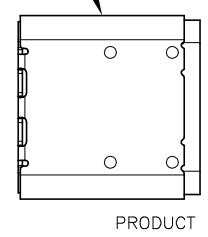
REV	ECN.NO	APPD.
A	XYX-183BZ-24TC-18303	ZHENBO LIU
B	XYX-183BZ-24TC-18303	QiaoZhen LIN

- NOTES :
- MATERIAL :
COVER TAPE : P.S T=0.05mm
CARRIER TAPE : P.S T=0.40mm
CARTON: CORRUGATED FIBER
 - DIMENSION :
REEL : SEE DRAWING
SHIPPING BOX: 350X350X300mm
 - QUANTITY : SEE TABLE
 - PEELING RESISTANCE : 10gf~130gf (for 12~56mm)
 - PEELING SPEED : 300mm/MINUTES



800	9	7200
PCS/REEL	REEL/BOX	TOTAL Q'TY

此文件为双方检验的唯一标准
This document is the only standard for inspection by both parties



GENERAL TOLERANCE	UNITS mm	NAME(INTENDED USE)
X.±0.30 x.±1°		USB 3.1 TYPE C REC
.X±0.25 .x±0.1°	MAT'L	DIP&SMT
.XX±0.20	FINISH	PART NO.(INTENDED USE)
.XXX±0.10		XYX-183BZ-24TC-18303
THESE DRAWINGS AND SPECIFICATIONS ARE THE PROPERTY OF RIBAO IN TEECONNECT TECHNOLOGY LIMITED AND SHALL NOT BE REPRODUCED COPIED OR USED IN ANY MANNER WITHOUT THE PRIOR WRITTEN CONSENT OF XINYEXING INTERCONNECTEC HNOLGY LIMITEDCT	Q'TY	APPD: ZHENBO LIU 12/04'16
		CHKD: QiaoZhen LIN 12/04'16
		DR: ZHIYI LI 12/04'16

深圳市日宝电子科技有限公司
Shenzhen RB Electronic Technology Co., Ltd.

CLASS: CONFIDENTIAL SECRET GENERAL

TITLE.: CUSTOMER DRAWING

DWG NO.:

		SHEET	SCALE	REV
		4 / 4	1:1	B