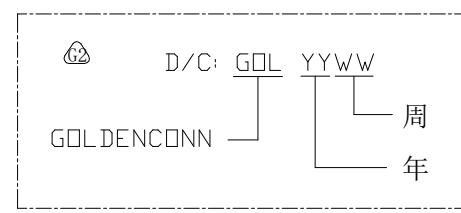
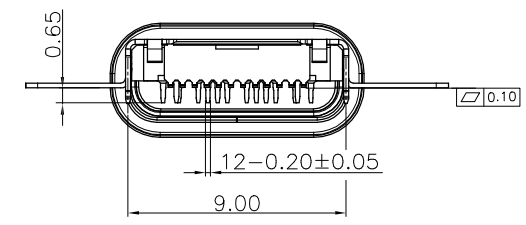
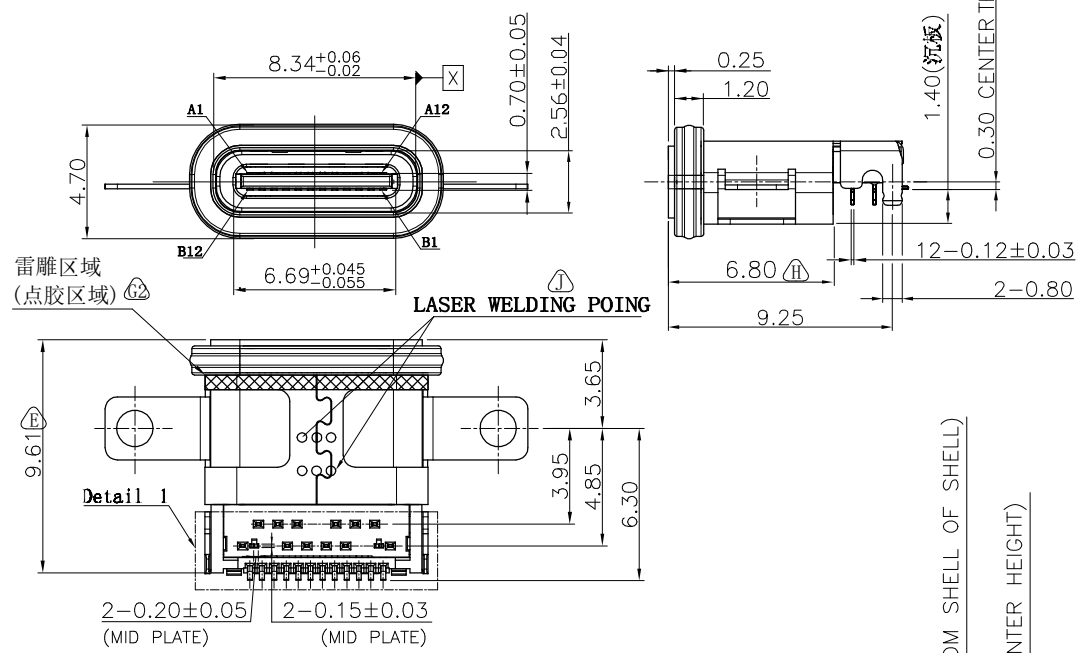
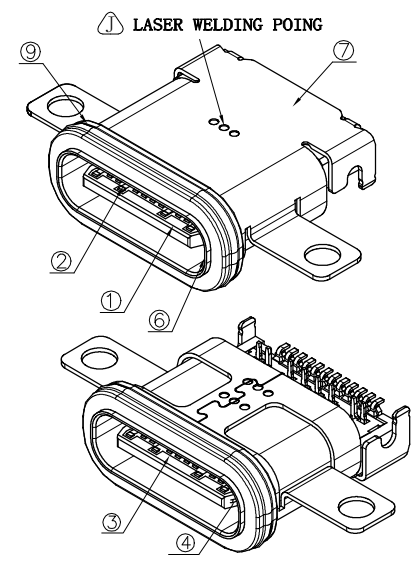
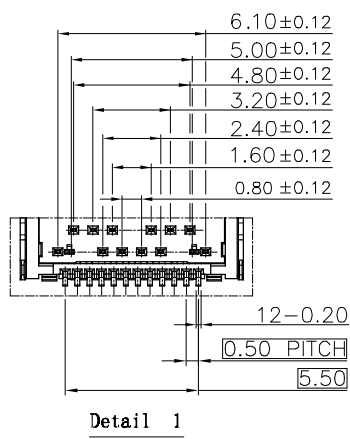
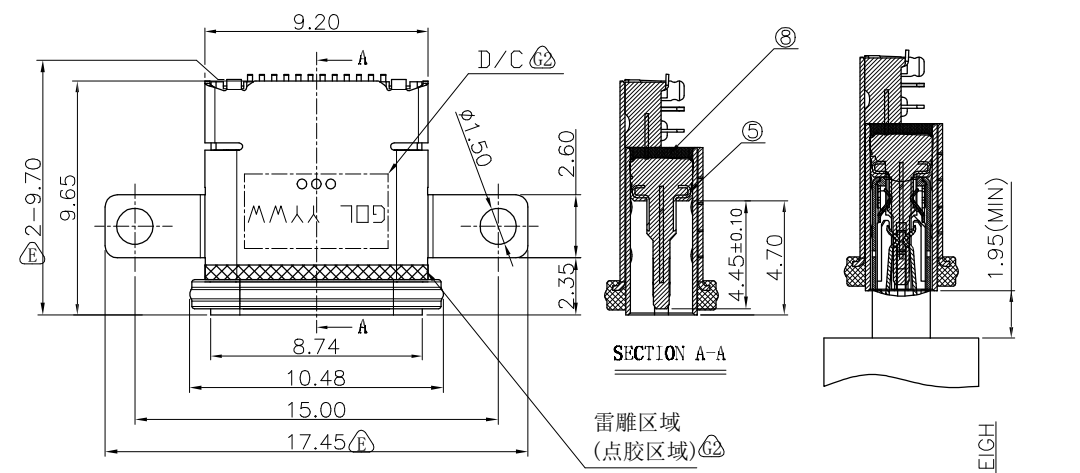
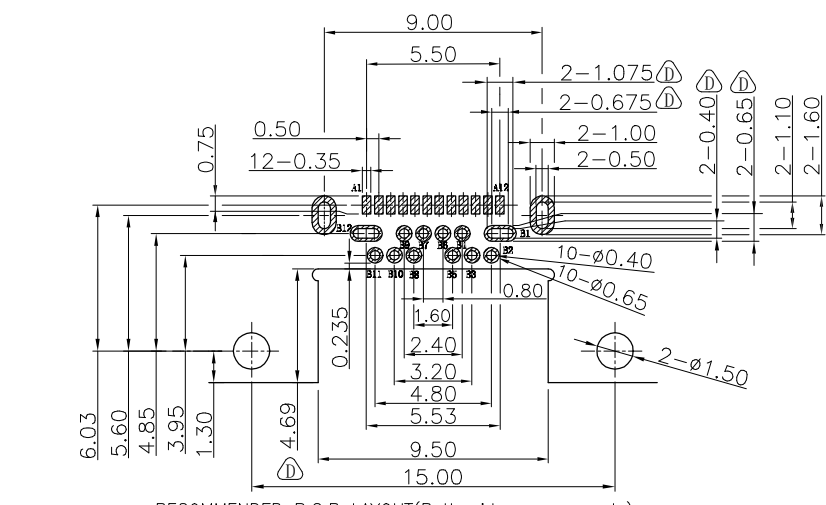


REV	ECN.NO	APPD.
A	YYX-183FZ-24TC-18302	ZHENBO LIU
B	YYX-183FZ-24TC-18302	QiaoZhen LIN



NOTES:
 1. MATERIAL: SEE "TABLE 1";
 2. FINISH: SEE "TABLE 1";
 3. ELECTRICAL :
 3-1.CONTACT CURRENT RATING :
 5A(VBUS PIN 1.5A/PIN),
 5A(GND PIN 1.25A/PIN MAX),0.25A/PIN(OTHER PIN).
 3-2.INSULATION RESISTANCE :
 100 MEGAOHMS MIN. AT 250VDC.
 3-3.DIELECTRIC WITHSTANDING VOLTAGE :
 100VAC MIN.
 3-4.LOW LEVEL CONTACT RESISTANCE :
 INITIAL 40mΩ MAX.
 AFTER 50mΩ MAX.
 4.MECHANICAL CHARACTERISTICS :
 4-1. MATING FORCE: 5~20N;
 4-2. UNMATING FORCE: 8~20N(INITIAL),6~20N(AFTER 10000 CYCLES);
 4-3.DURABILITY : 10,000 MATING CYCLES.
 4-4.OPERATING TEMPERATURE : -40°C TO +80°C



此文件为双方检验的唯一标准
 This document is the only standard for inspection by both parties

NO	PART NAMF	QTY	MATFRIAL	DFSCRIPTION
⑨	Silicone	1	LSP	BLACK
⑧	GLUE WATER	1	SILICA GEL	NATURAL CLOCK OR BLACK
⑦	Shell-2	1	Stainless steel	NI PLATED
⑥	Shell-1	1	Stainless steel	NI PLATED
⑤	GND PLATE	1	Stainless steel	NO PLATED
④	MID PLATE	1	Stainless steel	30u" MIN. SOLDERABLE NI PLATING ON ALL ARED
③	Terminal-B	12	Copper Alloy	50u" MIN. NI UNDER PLATING.
②	Terminal-A	12	Copper Alloy	MATTE TIN PLATING ON SOLDER AREA.
①	Housing	1	HIGH TEMP (PA46)	GOLD FLASH PLATING ON CONTACT AREA

GENERAL TOLERANCE	UNITS	mm	NAME(INTENDED USE)
X.±0.30 x.*±1°	MAT'L		USB Type C CL=0.3 DIP+SMT Type
.X±0.25 .x*±0.1°			PART NO.(INTENDED USE)
.XX±0.20			YYX-183FZ-24TC-18302
.XXX±0.10	FINISH		APPD: ZHENBO LIU 12/04'16
THESE DRAWINGS AND SPECIFICATIONS ARE THE PROPERTY OF RIBAO IN TEECONNECT TECHNOLOGY LIMITED.AND SHALL NOT BE REPRODUCED COPIED OR USED IN ANY MANNER WITHOUT THE PRIOR WRITTEN CONSENT OF XINYEXING INTERCONNECTEC HNOLGY LIMITEDCT	Q'TY		CHKD: QiaoZhen LIN 12/04'16
			DR: ZHIYI LI 12/04'16

深圳市日宝电子科技有限公司
 Shenzhen RB Electronic Technology Co., Ltd.

CLASS: CONFIDENTIAL SECRET GENERAL

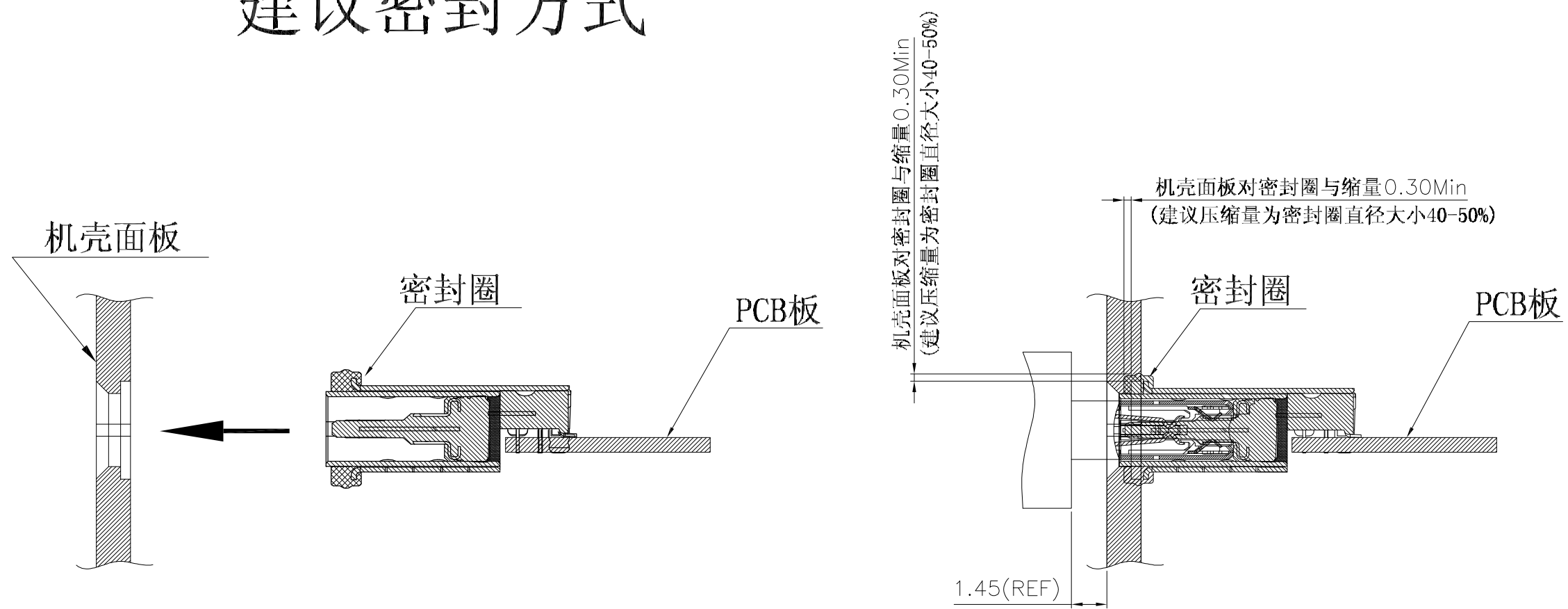
TITLE.: CUSTOMER DRAWING

DWG NO.:

	SHEET	SCALE	REV
	1/2	1:1	B

REV	ECN.NO	APPD.
A	XYX-183FZ-24TC-18302	ZHENBO LIU
B	XYX-183FZ-24TC-18302	QiaoZhen LIN

建议密封方式



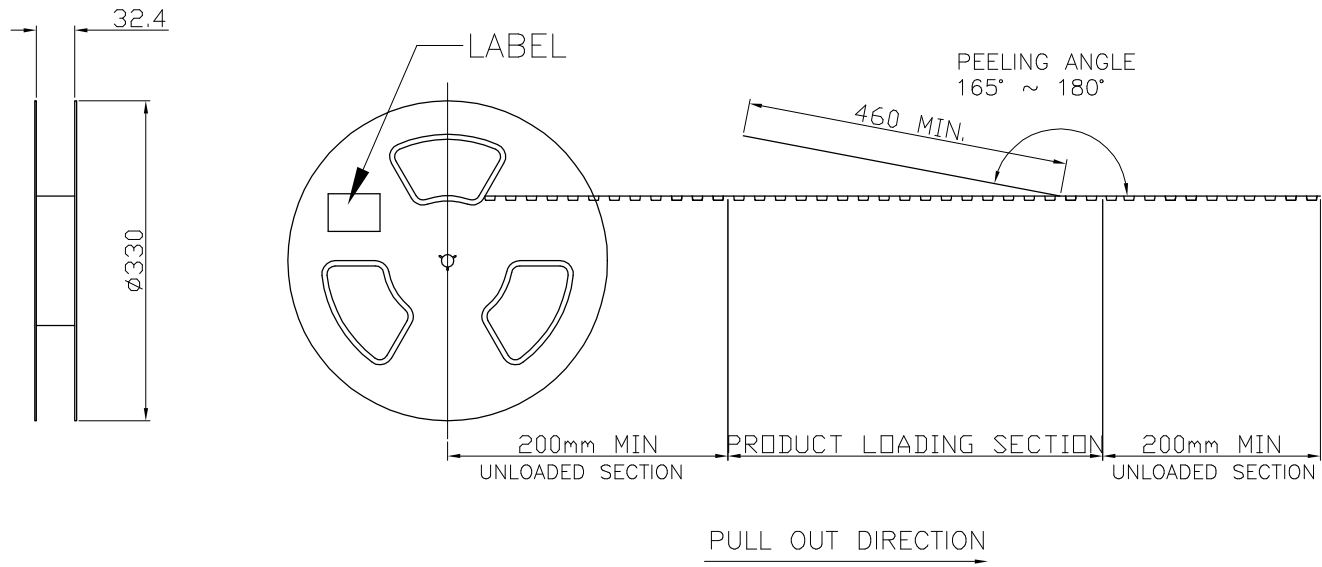
前后组装方式

组装面板后公母头对插示意图

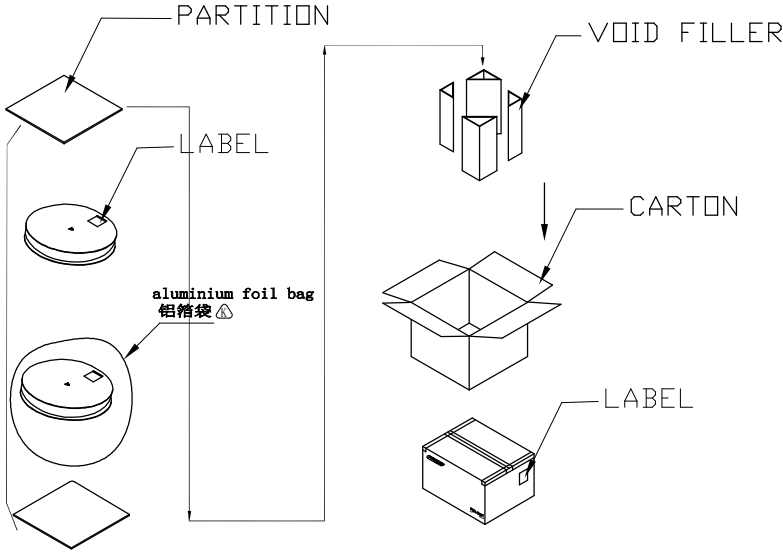
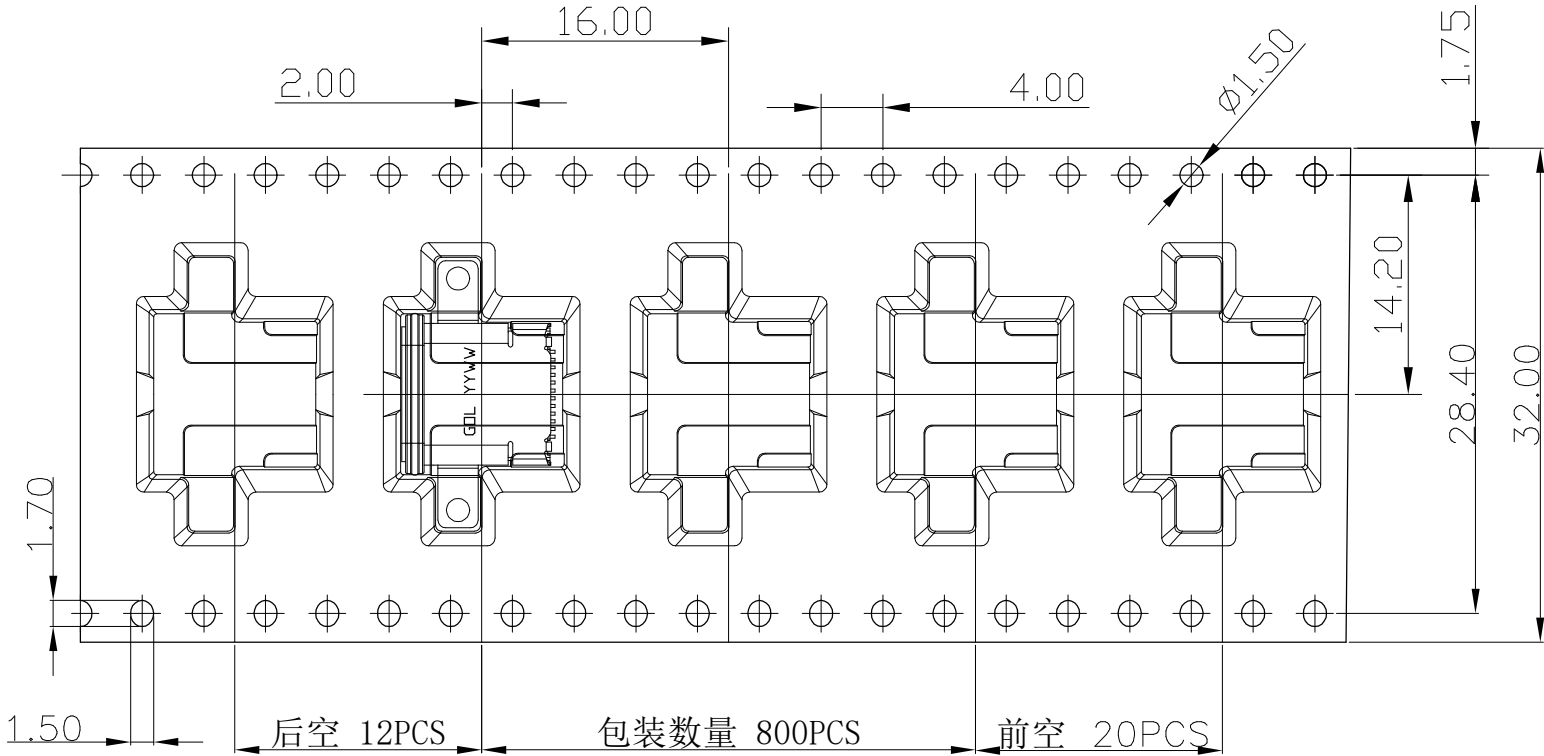
此文件为双方检验的唯一标准
This document is the only standard for inspection by both parties

GENERAL TOLERANCE X. \pm 0.30 x." \pm 1" .X \pm 0.25 .x" \pm 0.1" .XX \pm 0.20 .XXX \pm 0.10	UNITS	mm	NAME(INTENDED USE)	深圳市日宝电子科技有限公司 Shenzhen RB Electronic Technology Co., Ltd.				
	MAT'L		USB Type C CL=0.3 DIP+SMT Type	CLASS:	<input type="checkbox"/> CONFIDENTIAL	<input type="checkbox"/> SECRET	<input checked="" type="checkbox"/> GENERAL	
	FINISH		PART NO.(INTENDED USE)	TITLE.:	CUSTOMER DRAWING			
	Q'TY		XYX-183FZ-24TC-18302	DWG NO.:				
THESE DRAWINGS AND SPECIFICATIONS ARE THE PROPERTY OF RIBAO IN TEECONNECT TECHNOLOGY LIMITED, AND SHALL NOT BE REPRODUCED COPIED OR USED IN ANY MANNER WITHOUT THE PRIOR WRITTEN CONSENT OF XINYEXING INTERCONNECTEC HNOLGY LIMITEDCT			APPD:	ZHENBO LIU	12/04'16			
			CHKD:	QiaoZhen LIN	12/04'16			
			DR:	ZHIYI LI	12/04'16			
						SHEET	SCALE	REV
						1 / 2	1:1	B

REV	ECN.NO	APPD.
A	XYX-183FZ-24TC-18302	ZHENBO LIU
B	XYX-183FZ-24TC-18302	QiaoZhen LIN



- NOTES :
- MATERIAL :
COVER TAPE : P.S T=0.05mm
CARRIER TAPE : P.S T=0.40mm
CARTON: CORRUGATED FIBER
Aluminium foil bag : PET/AL/PET
 - DIMENSION :
REEL : SEE DRAWING
SHIPPING BOX: 350X350X300mm
 - QUANTITY : SEE TABLE
 - PEELING RESISTANCE : 10gf~130gf (for 12~56mm)
 - PEELING SPEED : 300mm/MINUTES



800	7	5600
PCS/REEL	REEL/BOX	TOTAL Q'TY

此文件为双方检验的唯一标准
This document is the only standard for inspection by both parties

GENERAL TOLERANCE X.±0.30 x.*±1* .X±0.25 .x.*±0.1* .XX±0.20 .XXX±0.10 THESE DRAWINGS AND SPECIFICATIONS ARE THE PROPERTY OF RIBAO IN TEECONNECT TECHNOLOGY LIMITED AND SHALL NOT BE REPRODUCED COPIED OR USED IN ANY MANNER WITHOUT THE PRIOR WRITTEN CONSENT OF XINYEXING INTERCONNECTEC HNOLOGY LIMITEDCT	UNITS	mm	NAME(INTENDED USE)	深圳市日宝电子科技有限公司 Shenzhen RB Electronic Technology Co., Ltd.			
	MAT'L		USB Type C CL=0.3 DIP+SMT Type	CLASS:	<input type="checkbox"/> CONFIDENTIAL	<input type="checkbox"/> SECRET	<input checked="" type="checkbox"/> GENERAL
	FINISH		XYX-183FZ-24TC-18302	TITLE.:	CUSTOMER DRAWING		
	Q'TY			APPD: ZHENBO LIU 12/04'16	DWG NO.:		
			CHKD: QiaoZhen LIN 12/04'16		SHEET	SCALE	REV
			DR: ZHIYI LI 12/04'16		1 / 2	1:1	B