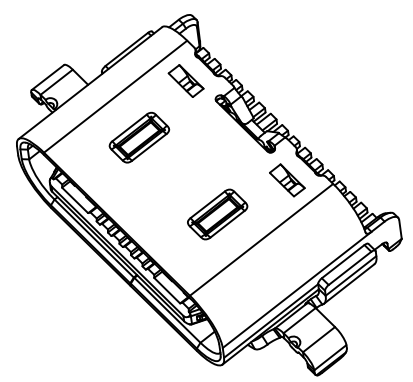
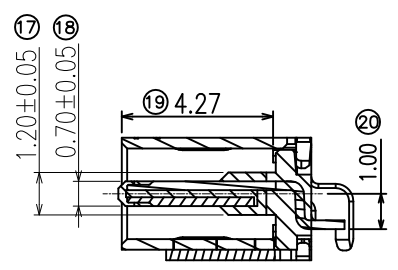
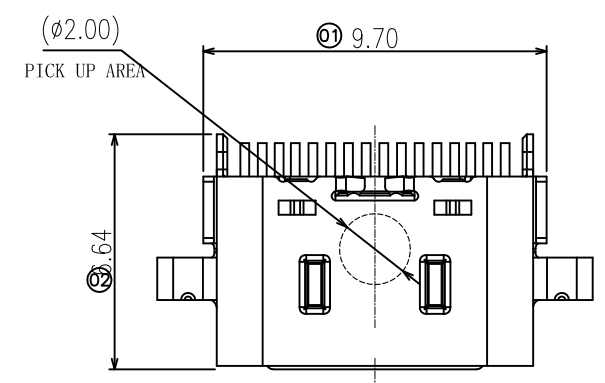
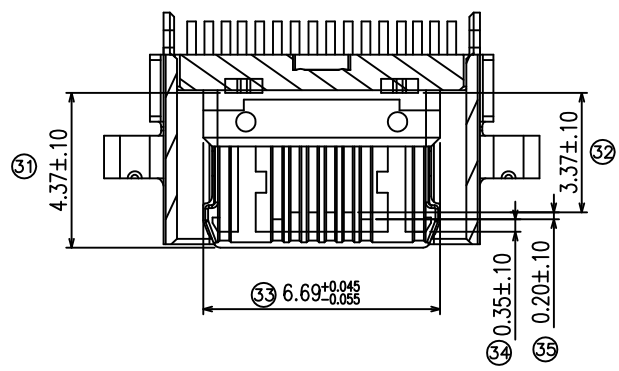
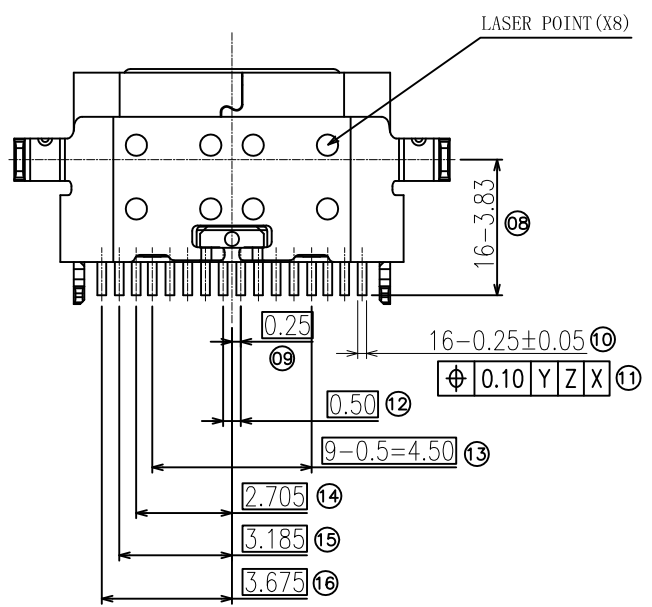
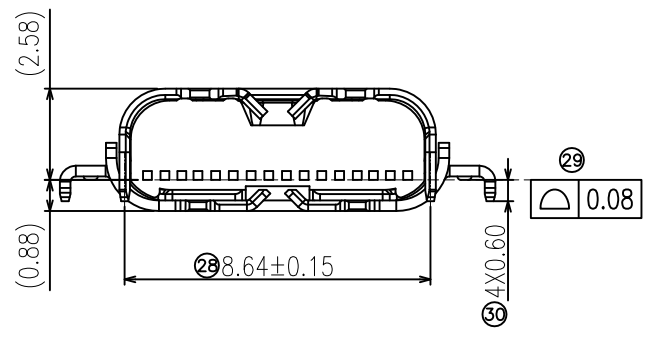
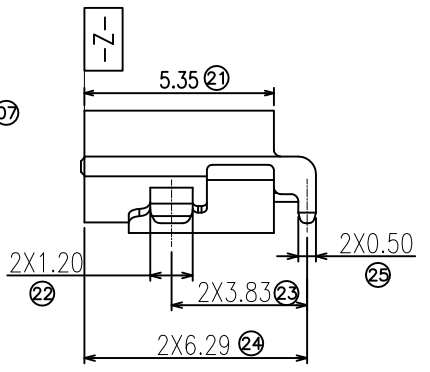
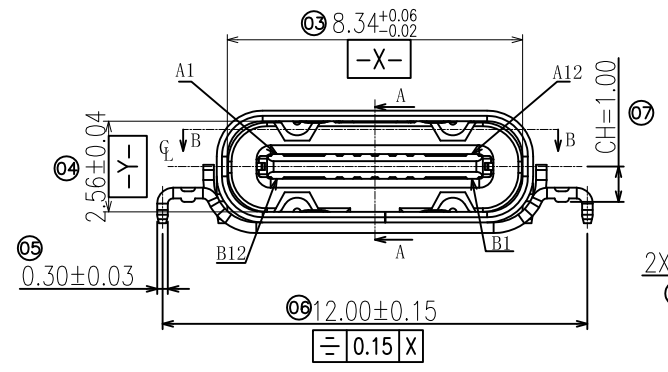


REV	ECN.NO	APPD.
A	XYX-290CZ-16TC-29001	ZHENBO LIU
B	XYX-290CZ-16TC-29001	QiaoZhen LIN



- NOTES:
- PRODUCT SPECIFICATIONS:
 - CURRENT RATING: 5A MAX. FOR (A4,A9,B4,B9)VBUS PIN, 1.25A MAX. FOR(A1,A12,B1,B12)GND PIN,0.25A(OTHER PIN)
 - TEMPERATURE RANGE: -40 °C ~ 85 °C
 - CONTACT RESISTANCE: 30 MILLIONHM MAX.(INITIAL) 50 MILLIONHM MAX.(AFTER TEST)
 - INSULATION RESISTANCE: 100 MEGOHMS MIN.
 - DIELECTRIC WITHSTANDING VOLTAGE:100 VAC
 - INSERTION FORCE : 5N~20N
 - UNMATING FORCE:INITIAL:8N~20N;DURABILITY:6N~20N
 - DURABILITY: 10,000 CYCLES



TOLERANCES UNLESS OTHERWISE SPECIFIED GENERAL X. ±0.25 .X ±0.15 .XX ±0.10 .XXX ±0.05 ANGLES ±1.0°	UNITS mm	NAME(INTENDED USE) USB 16PIN TYPE C SINK0.88 CH=1.0 SMT TYPE
	MAT'L	PART NO.(INTENDED USE) XYX-290CZ-16TC-29001
THESE DRAWINGS AND SPECIFICATIONS ARE THE PROPERTY OF RIBAO IN TEECONNECT TECHNOLOGY LIMITED.AND SHALL NOT BE REPRODUCED COPIED OR USED IN ANY MANNER WITHOUT THE PRIOR WRITTEN CONSENT OF XINYEXING INTERCONNECTEC HNOLGY LIMITEDCT	FINISH	APPD: ZHENBO LIU 12/04'16
	Q'TY	CHKD: QiaoZhen LIN 12/04'16 DR: ZHIYI LI 12/04'16

深圳市日宝电子科技有限公司
Shenzhen RB Electronic Technology Co., Ltd.

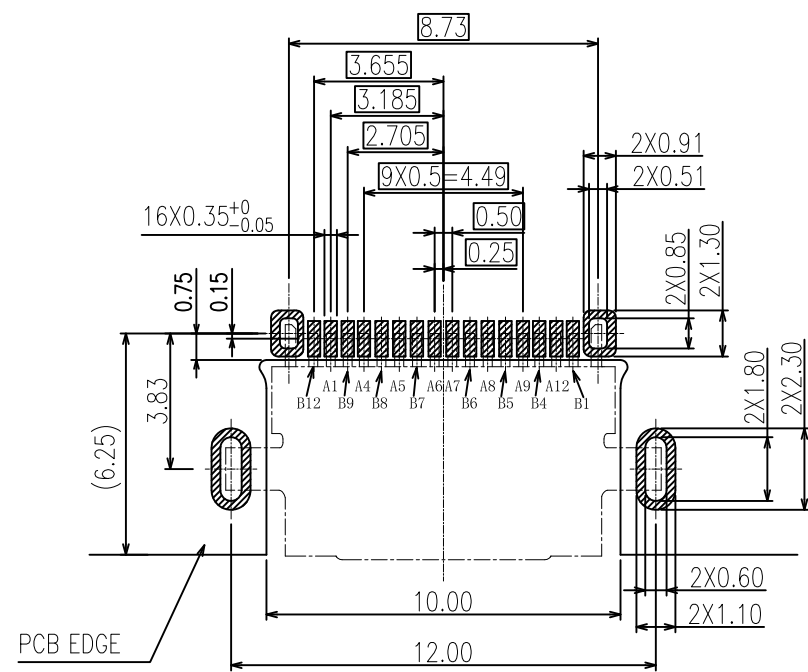
CLASS: CONFIDENTIAL SECRET GENERAL

TITLE.: CUSTOMER DRAWING

DWG NO.:

	SHEET	SCALE	REV
	1 / 3	1:1	B

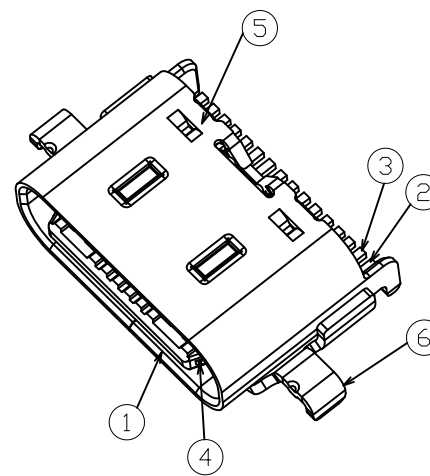
REV	ECN.NO	APPD.
A	XYX-290CZ-16TC-29001	ZHENBO LIU
B	XYX-290CZ-16TC-29001	QiaoZhen LIN



RECOMMENDED P.C.B. LAYOUT (TOP VIEW)
THICKNESS:0.80MM TOLERANCE ±0.05mm

PIN ASSIGNMENT(A1&B12&B1&A12 SHORT):

A12	GND	GROUNG RETURN	B1	GND	GROUNG RETURN
A9	VBUS	BUS POWER	B4	VBUS	BUS POWER
A8	SBU1	SIDEBAND USE(SBU)	B5	CC2	CONFIGURATION CHANNEL
A7	DN1	POSITIVE HAL F OF USB2.0 DIFFERENTIAL PAIR-POSITION1	B6	DP2	POSITIVE HAL F OF USB2.0 DIFFERENTIAL PAIR-POSITION1
A6	DP1	POSITIVE HAL F OF USB2.0 DIFFERENTIAL PAIR-POSITION1	B7	DN2	POSITIVE HAL F OF USB2.0 DIFFERENTIAL PAIR-POSITION1
A5	CC1	CONFIGURATION CHANNEL	B8	SBU2	SIDEBAND USE(SBU)
A4	VBUS	BUS POWER	B9	VBUS	BUS POWER
A1	GND	GROUNG RETURN	B12	GND	GROUNG RETURN
PIN No.	NAME	DESCRIPTION	PIN No.	NAME	DESCRIPTION



6	SHELL-2	1PCS	STAINLESS STEEL	50u" MIN. Ni UNDERPLATING OVERALL
5	SHELL-1	1PCS	STAINLESS STEEL	50u" MIN. Ni UNDERPLATING OVERALL
4	MID PLATE	1PCS	STAINLESS STEEL	NO PLATED, CLEAR
3	CONTACT B	1SET	COPPER ALLOY	Au 30u" PLATING ON CONTACT AREA Au 1u" PLATING ON SOLDER AREA
2	CONTACT A	1SET	COPPER ALLOY	50u" MIN. NICKEL UNDER PLATING ALL OVER
1	HOUSING	1PCS	NYLON	COLOR:BLACK
ITEM	DESCRIPTION	QTY.	MATERIAL	FINISH

TOLERANCES UNLESS OTHERWISE SPECIFIED	UNITS	mm
GENERAL	X.	±0.25
	.X	±0.15
	.XX	±0.10
	.XXX	±0.05
ANGLES		±1.0°
THESE DRAWINGS AND SPECIFICATIONS ARE THE PROPERTY OF RIBAO IN TEECONNECT TECHNOLOGY LIMITED AND SHALL NOT BE REPRODUCED COPIED OR USED IN ANY MANNER WITHOUT THE PRIOR WRITTEN CONSENT OF XINYEXING INTERCONNECTEC HNOLGY LIMITEDCT		

NAME(INTENDED USE)	USB 16PIN TYPE C SINK0.88 CH=1.0 SMT TYPE
PART NO.(INTENDED USE)	XYX-290CZ-16TC-29001
APPD:	ZHENBO LIU 12/04'16
CHKD:	QiaoZhen LIN 12/04'16
DR:	ZHIYI LI 12/04'16

深圳市日宝电子科技有限公司
Shenzhen RB Electronic Technology Co., Ltd.

CLASS: CONFIDENTIAL SECRET GENERAL

TITLE.: CUSTOMER DRAWING

DWG NO.:

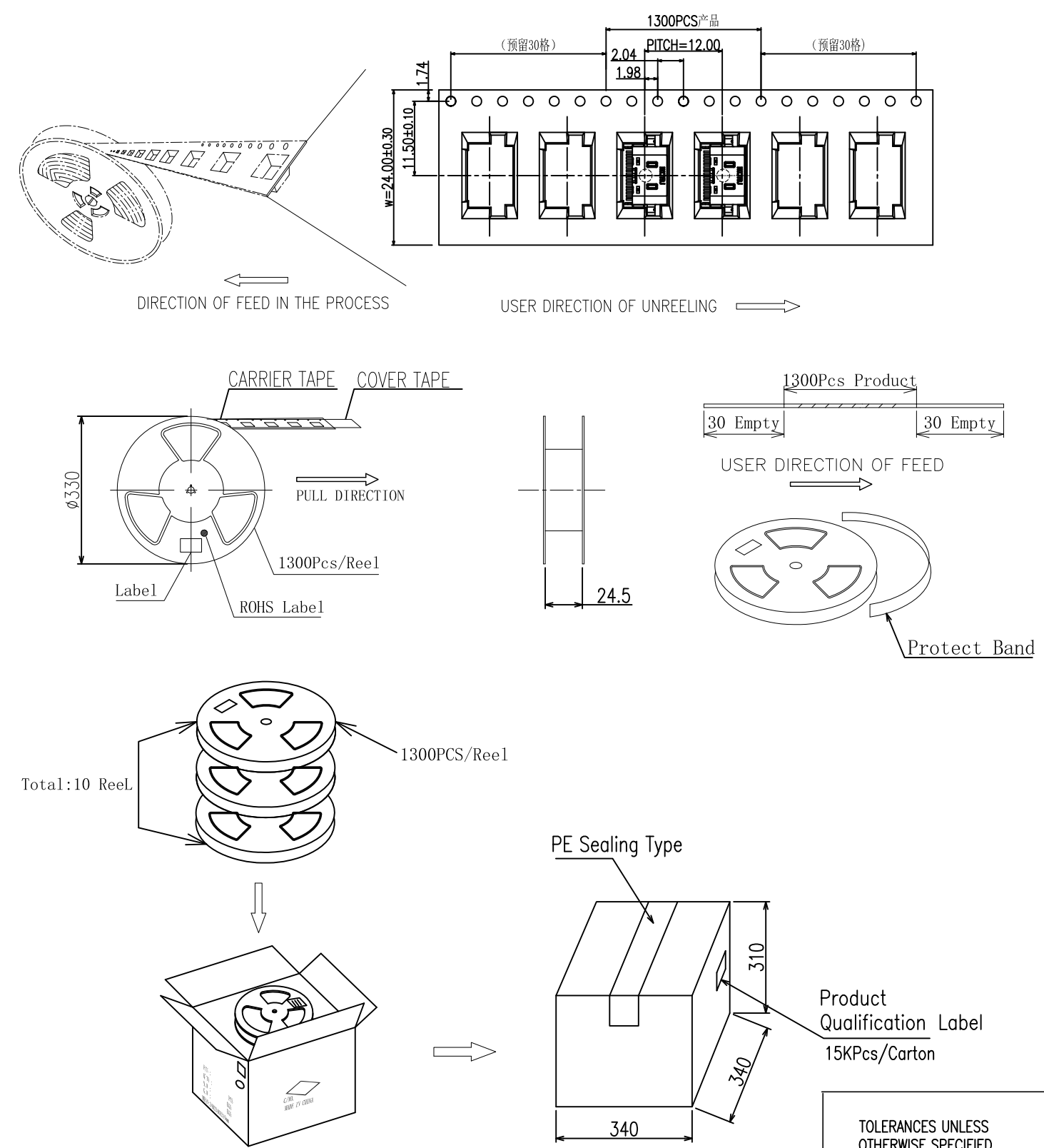
SHEET	SCALE	REV
2 / 3	1:1	B



REV	ECN.NO	APPD.
A	XYX-290CZ-16TC-29001	ZHENBO LIU
B	XYX-290CZ-16TC-29001	QiaoZhen LIN

- NOTES 1 :
- Put the finished product into CARRIER TAPE according to the specified packaging quantity as shown in the figure. Then paste one Part label and one RoHS label on the reel.
 - Every 10 rolls is packed into a Carton, 1300PCS/Reel, 13000PCS/Carton;
 - After the carton is sealed, the carton is sealed with sealant, and the shipping label and RoHS label are pasted on the side;
 - Label; If the customer requires another label, the label shall be affixed according to the requirements specified in the order;
 - The outer case is bound with sealing tape;
 - This packing method is applicable to the products: 15-16815-105 (16PIN TYPE-C)

- NOTES 2:
- Tape Reel Material: PET Transparent
 - Package Content: See Tab below



TOLERANCES UNLESS OTHERWISE SPECIFIED GENERAL X. ±0.25 .X ±0.15 .XX ±0.10 .XXX ±0.05 ANGLES ±1.0°	UNITS mm	NAME (INTENDED USE) USB 16PIN TYPE C SINK0.88 CH=1.0 SMT TYPE	深圳市日宝电子科技有限公司 Shenzhen RB Electronic Technology Co., Ltd.			
	MAT'L	PART NO. (INTENDED USE) XYX-290CZ-16TC-29001	CLASS: <input type="checkbox"/> CONFIDENTIAL <input type="checkbox"/> SECRET <input checked="" type="checkbox"/> GENERAL			
	FINISH	APPD: ZHENBO LIU 12/04'16	TITLE.: CUSTOMER DRAWING			
	Q'TY	CHKD: QiaoZhen LIN 12/04'16 DR: ZHIYI LI 12/04'16	DWG NO.:			
THESE DRAWINGS AND SPECIFICATIONS ARE THE PROPERTY OF RIBAO IN TEECONNECT TECHNOLOGY LIMITED AND SHALL NOT BE REPRODUCED COPIED OR USED IN ANY MANNER WITHOUT THE PRIOR WRITTEN CONSENT OF XINYEXING INTERCONNECTEC HNOLOGY LIMITED ECT				SHEET 3 / 3	SCALE 1:1	REV B