

REV	ECN.NO	APPD.
A	XYX-311CZ-24TC-31102	ZHENBO LIU
B	XYX-311CZ-24TC-31102	QiaoZhen LIN

NOTE:

1. MATERIAL:

- 1.1 INSULATOR: HIGH TEMPERATURE PLASTIC UL 94 V-0;
- 1.2 CONTACT: COPPER ALLOY
- 1.3 SHELL: STAINLESS STEEL
- 1.4 MYLAR: POLYIMIDE

2. ELECTRICAL CHARACTERISTICS:

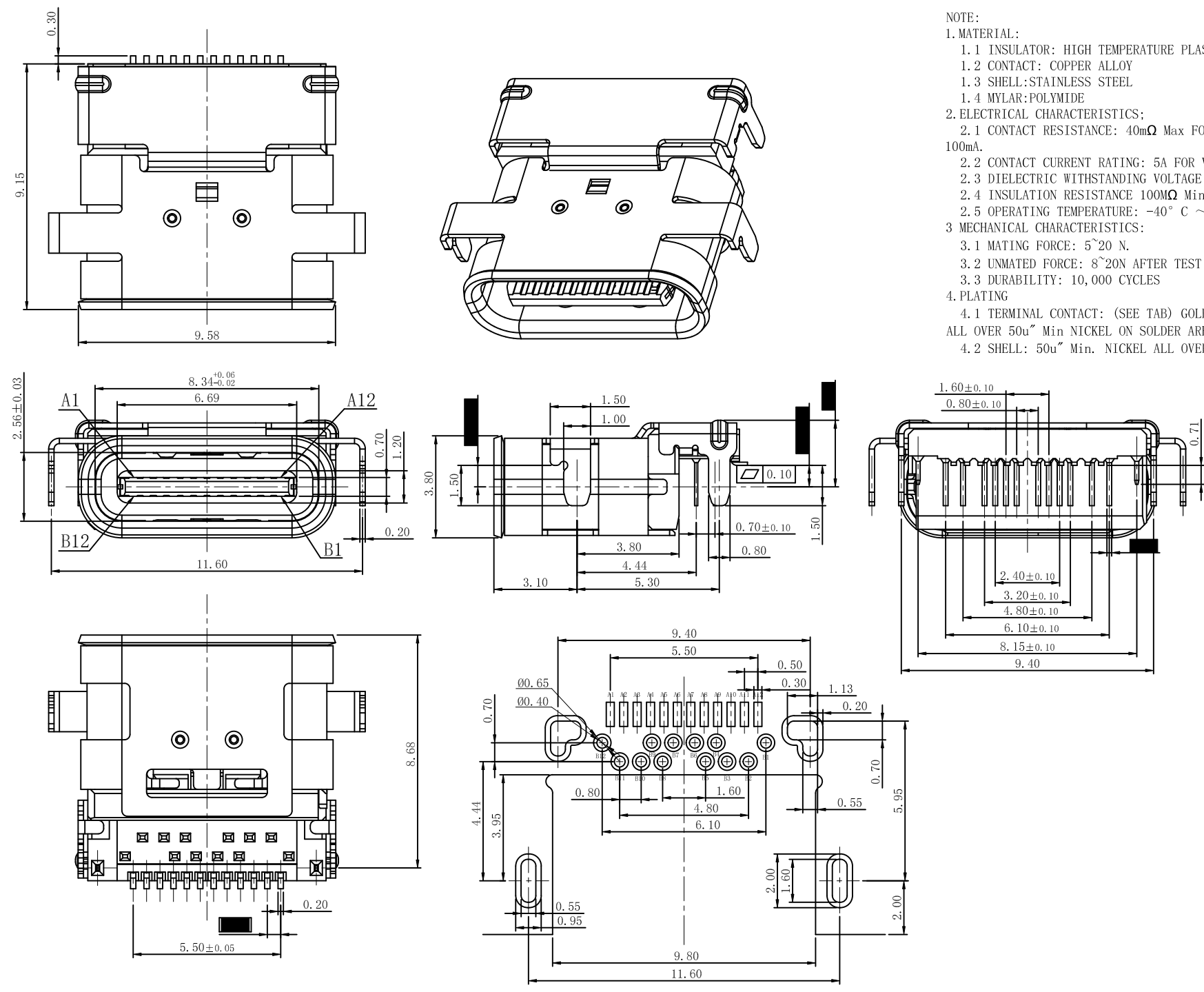
- 2.1 CONTACT RESISTANCE: 40mΩ Max FOR INITIAL. 10mΩ CHANGE AFTER TEST. MEASURE AT 20mV, 100mA.
- 2.2 CONTACT CURRENT RATING: 5A FOR VBUS PIN; 1.25A FOR VCONN PIN.
- 2.3 DIELECTRIC WITHSTANDING VOLTAGE: 100V AC R. M. S.
- 2.4 INSULATION RESISTANCE 100MΩ Min
- 2.5 OPERATING TEMPERATURE: -40° C ~ 85° C

3. MECHANICAL CHARACTERISTICS:

- 3.1 MATING FORCE: 5~20 N.
- 3.2 UNMATED FORCE: 8~20N AFTER TEST
- 3.3 DURABILITY: 10,000 CYCLES

4. PLATING

- 4.1 TERMINAL CONTACT: (SEE TAB) GOLD PLATING 1u" ALL OVER 50u" Min NICKEL AND 80u"Min Tin ALL OVER 50u" Min NICKEL ON SOLDER AREA
- 4.2 SHELL: 50u" Min. NICKEL ALL OVER,



RECOMMENDED PCB LAYOUT  
TOLERANCE: ±0.05 (TOP VIEW)

	A	B
1	GND	12 GND
2	TX1+	11 RX1+
3	TX1-	10 RX1-
4	VBUS	9 VBUS
5	CC1	8 SBU2
6	D+	7 D-
7	D-	6 D+
8	SBU1	5 CC2
9	VBUS	4 VBUS
10	RX2-	3 TX2-
11	RX2+	2 TX2+
12	GND	1 GND

TOLERANCE:

X. ±0.30

X.X ±0.25


X.XX ±0.20

X.XXX ±0.15

X.° ±1° X.X° ±0.5°

THESE DRAWINGS AND SPECIFICATIONS ARE THE PROPERTY OF RIBAO IN TEECONNECT TECHNOLOGY LIMITED, AND SHALL NOT BE REPRODUCED COPIED OR USED IN ANY MANNER WITHOUT THE PRIOR WRITTEN CONSENT OF RIBAO IN TEECONNECT TECHNOLOGY LIMITED.


UNITS	mm
MAT'L	
FINISH	
Q'TY	
NAME(INTENDED USE)	USB4 TYPE CF沉板式DIP+SMT CH=0.8mm
PART NO.(INTENDED USE)	XYX-311CZ-24TC-31102
APPD:	ZHENBO LIU 23/04'16
CHKD:	QiaoZhen LIN 23/04'16
DR:	ZHIYI LI 23/04'16

 **深圳市日宝电子科技有限公司**  
Shenzhen RB Electronic Technology Co., Ltd.

CLASS:  CONFIDENTIAL  SECRET  GENERAL

TITLE.: CUSTOMER DRAWING

DWG NO.:

	SHEET	SCALE	REV
	1/1	1:1	B