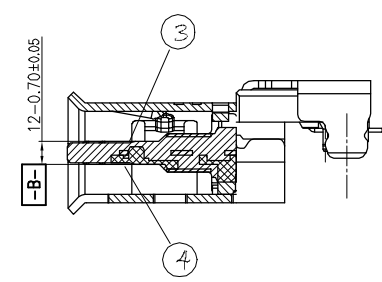
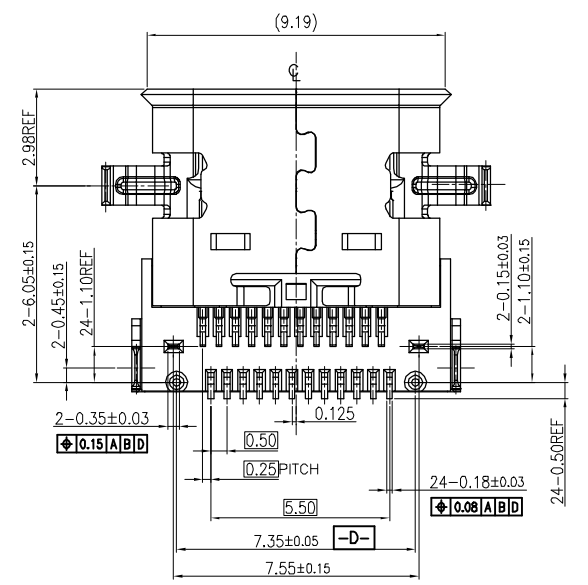
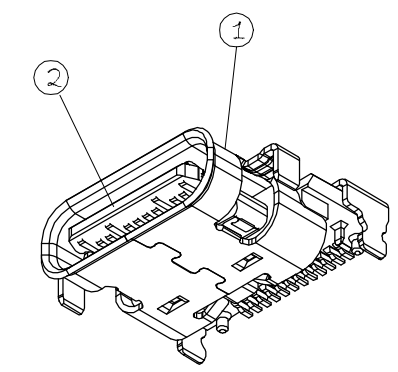
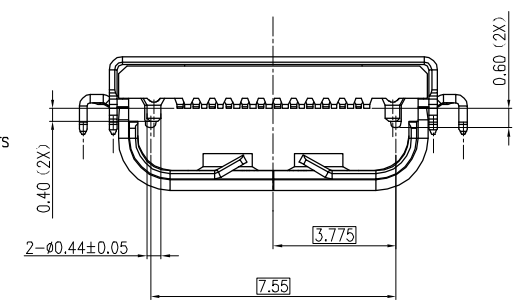
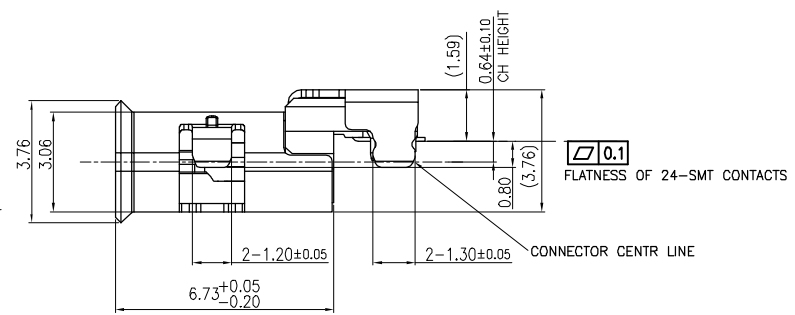
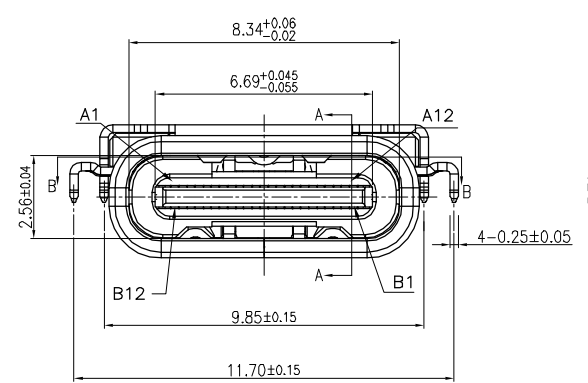
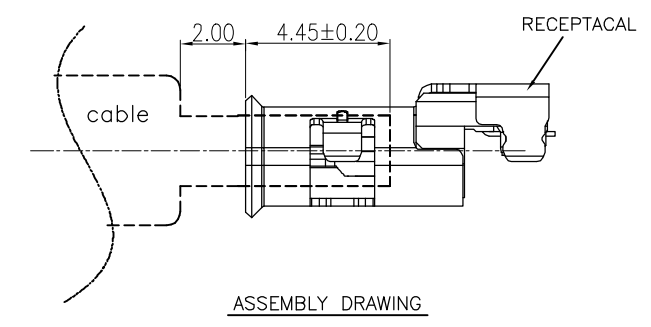
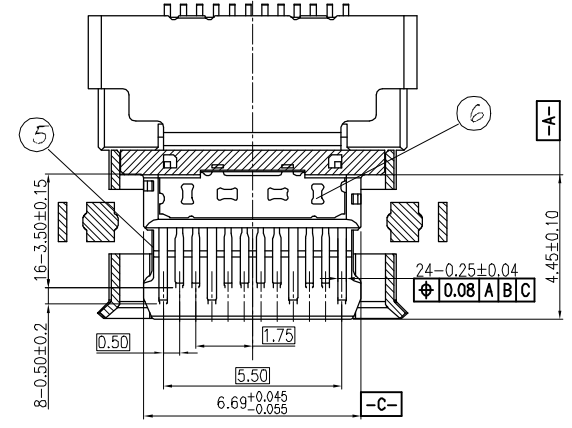
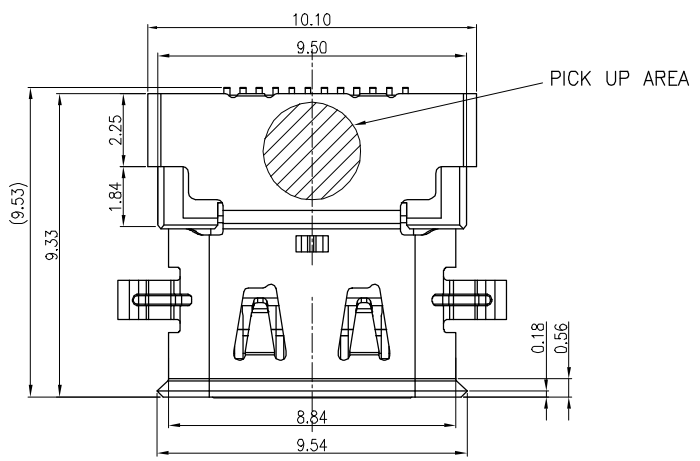


REV	ECN.NO	APPD.
A	XYX-183CZ-24TC-18301	ZHENBO LIU
B	XYX-183CZ-24TC-18301	QiaoZhen LIN



NO.	DESCRIPTION	QTY.	MATERIAL	FINISH
⑥	EMI SPRING	2 PCS	STAINLESS STEEL	NO SURFACE TREATMENT
⑤	MID PLATE	1 PCS	STAINLESS STEEL	NO SURFACE TREATMENT
④	CONTACT B	12 PCS	COPPER ALLOY	50u" MIN. Ni UNDER PLATING. 80u" MIN. MATTE TIN PLATING ON SOLDER AREA. GOLD PLATING ON CONTACT AREA.(SEE PART NUM)
③	CONTACT A	12 PCS	COPPER ALLOY	
②	HOUSING	1 PCS	THERMOPLASTIC.	UL94V-0 COLOR: BLACK
①	SHELL	1 PCS	STAINLESS STEEL	Ni 30u" MIN. UNDER PLATED OVER ALL.
NO.	DESCRIPTION	QTY.	MATERIAL	FINISH

此文件为双方检验的唯一标准
This document is the only standard for inspection by both parties

GENERAL TOLERANCE
X±0.30 x.*±1*
.X±0.25 .x.*±0.1*
.XX±0.20
.XXX±0.10

THESE DRAWINGS AND SPECIFICATIONS ARE THE PROPERTY OF RIBAO IN TEECONNECT TECHNOLOGY LIMITED AND SHALL NOT BE REPRODUCED COPIED OR USED IN ANY MANNER WITHOUT THE PRIOR WRITTEN CONSENT OF XINYIXING INTERCONNECTEC HNOLGY LIMITEDCT

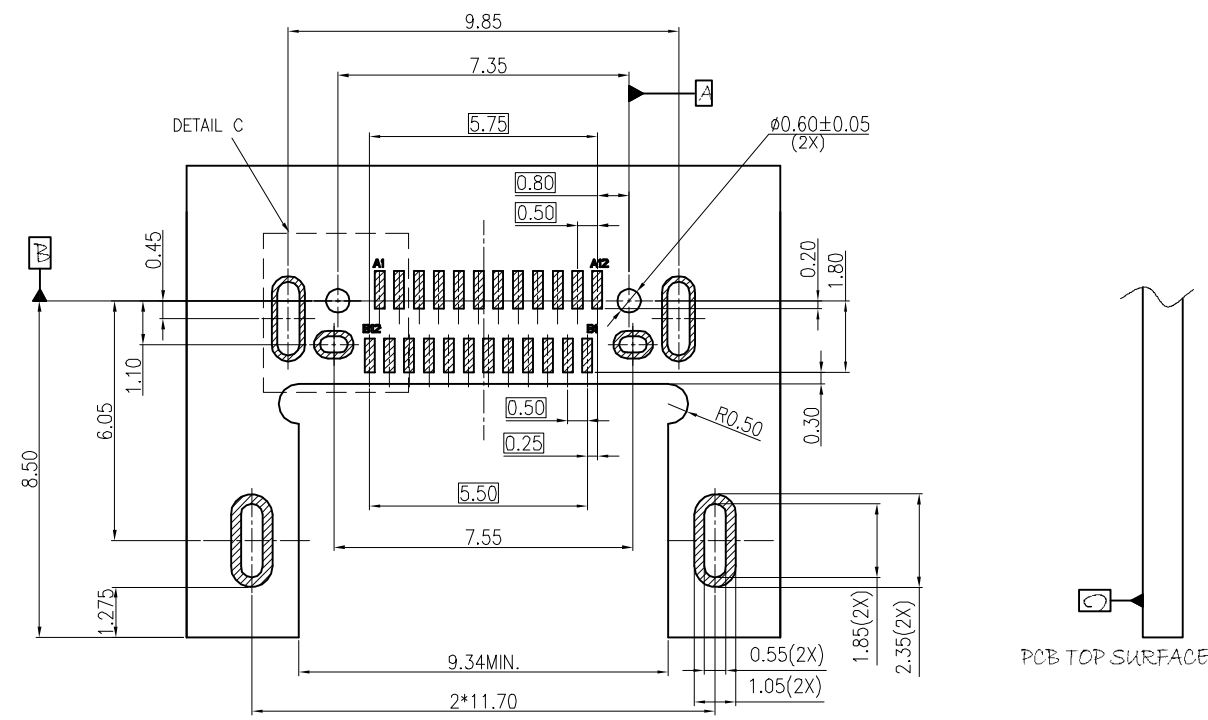
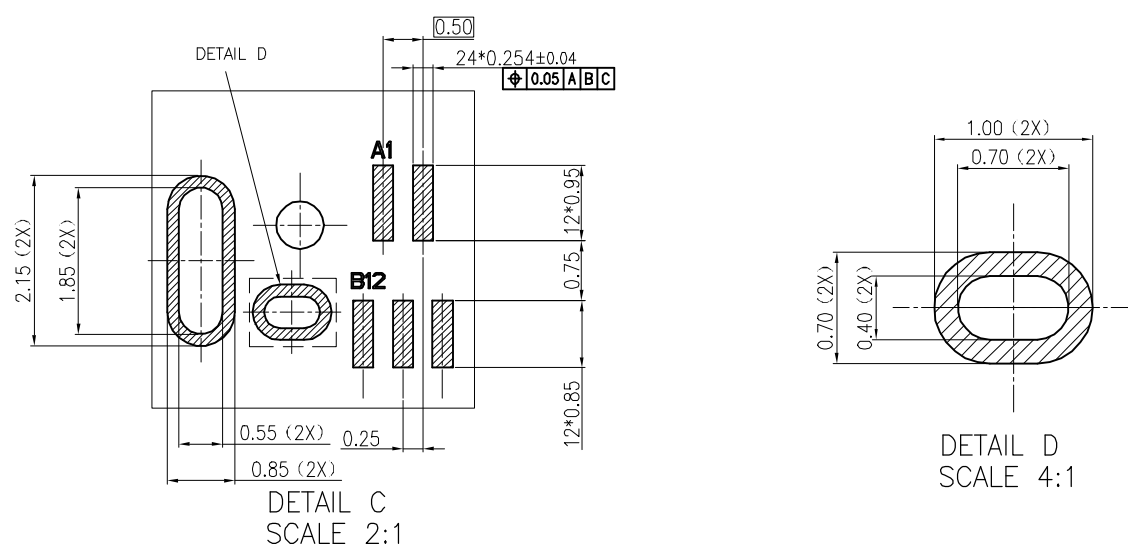
UNITS	mm
MAT'L	
FINISH	
Q'TY	
NAME (INTENDED USE)	TYPE-C REC, CH-0.64mm
PART NO. (INTENDED USE)	XYX-183CZ-24TC-18301
APPD:	ZHENBO LIU 12/04'16
CHKD:	QiaoZhen LIN 12/04'16
DR:	ZHIYI LI 12/04'16

深圳市日宝电子科技有限公司
Shenzhen RB Electronic Technology Co., Ltd.

CLASS: CONFIDENTIAL SECRET GENERAL
TITLE.: CUSTOMER DRAWING
DWG NO.:

SHEET	SCALE	REV

REV	ECN.NO	APPD.
A	XYX-183CZ-24TC-18301	ZHENBO LIU
B	XYX-183CZ-24TC-18301	QiaoZhen LIN



SPECIFICATION:

- 1.ELECTRICAL CHARACTERISTICS:
- 1.1 CURRENT RATING:
A current of 5 A shall be applied collectively to VBUS pins (i.e., pins A4, A9, B4, and B9) and 1.25 A shall be applied to the VCONN pin (i.e., B5 of the plug connector) with the return path through the corresponding GND pins (i.e., pins A1, A12, B1, and B12). A minimum current of 0.25 A shall also be applied individually to all the other contacts.
- 1.2 CONTACT RESISTANCE: INITIAL 40 mΩ Max.
AFTER 50 mΩ Max.
- 1.3 DIELECTRIC WITHSTANDING VOLTAGE: 100 VAC r.m.s
- 1.4 INSULATION RESISTNACE: 100 MEGOHMS MIN.
- 2.MECHANICAL CHARACTERISTICS
- 2.1 INSERTION FORCE: 5~20N
- 2.2 EXTRACTION FORCE: Initial:8~20N;Durability:6~20N(1000cycles);
- 2.3 DURABILITY:10,000CYCLES
- 3.ENVIRONMENTAL CHARACTERISTICS
- 3.1 TEMPERATURE RANGE: -40 °C ~ 85 °C
- 3.2 RECOMMENED PROCESS: IR REFLOW 260°C 10 SECONDS

4.PART NO.:
1UBC071 * 24R1R-HF
HF:HALOGEN FREE

PLATING CODE:
F:GOLD FLASH(1u" min.)
E:Au:5u"
J:Au:15u"
K:Au:30u"

PIN ASSIGNMENT FOR DIRECT CONNECT APPLICATIONS											
A1	A2	A3	A4	A5	A6	A7	A8	A9	A10	A11	A12
GND	TX1+	TX1-	VBUS	CC1	D+	D-	SUB1	VBUS	RX2-	RX2+	GND
GND	RX1+	RX1-	VBUS	SBU2	D-	D+	CC2	VBUS	TX2-	TX2+	GND
B12	B11	B10	B9	B8	B7	B6	B5	B4	B3	B2	B1

此文件为双方检验的唯一标准
This document is the only standard for inspection by both parties

GENERAL TOLERANCE
X.±0.30 x.±1'
.X±0.25 .x'±0.1'
.XX±0.20
.XXX±0.10

THESE DRAWINGS AND SPECIFICATIONS ARE THE PROPERTY OF RIBAO IN TEECONNECT TECHNOLOGY LIMITED AND SHALL NOT BE REPRODUCED COPIED OR USED IN ANY MANNER WITHOUT THE PRIOR WRITTEN CONSENT OF XINYEXING INTERCONNECTEC HNOLGY LIMITEDCT

UNITS	mm	NAME(INTENDED USE)	TYPE-C REC, CH=0.64mm
MAT'L		PART NO.(INTENDED USE)	XYX-183CZ-24TC-18301
FINISH		APPD:	ZHENBO LIU 12/04'16
Q'TY		CHKD:	QiaoZhen LIN 12/04'16
		DR:	ZHIYI LI 12/04'16

深圳市日宝电子科技有限公司
Shenzhen RB Electronic Technology Co., Ltd.

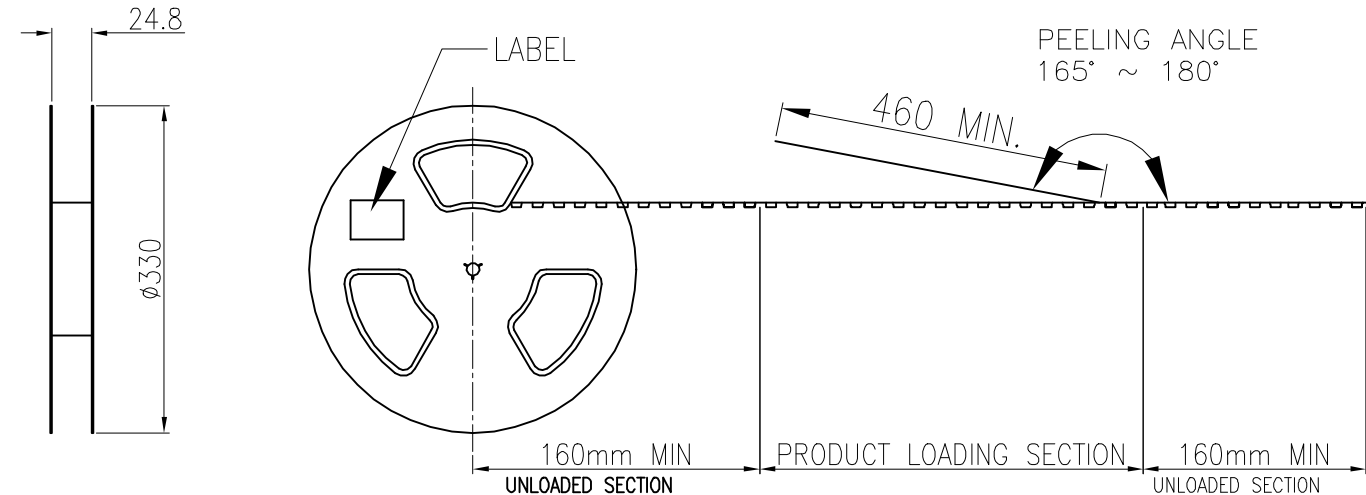
CLASS: CONFIDENTIAL SECRET GENERAL

TITLE.: CUSTOMER DRAWING

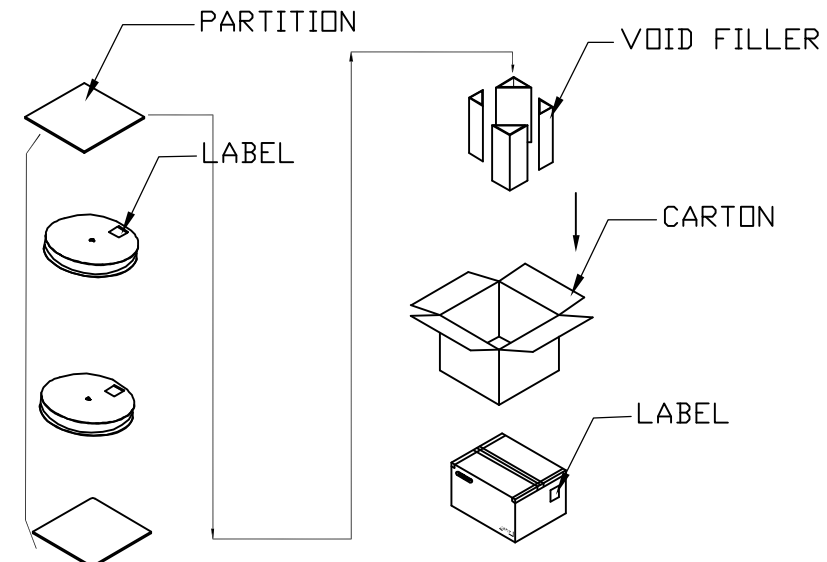
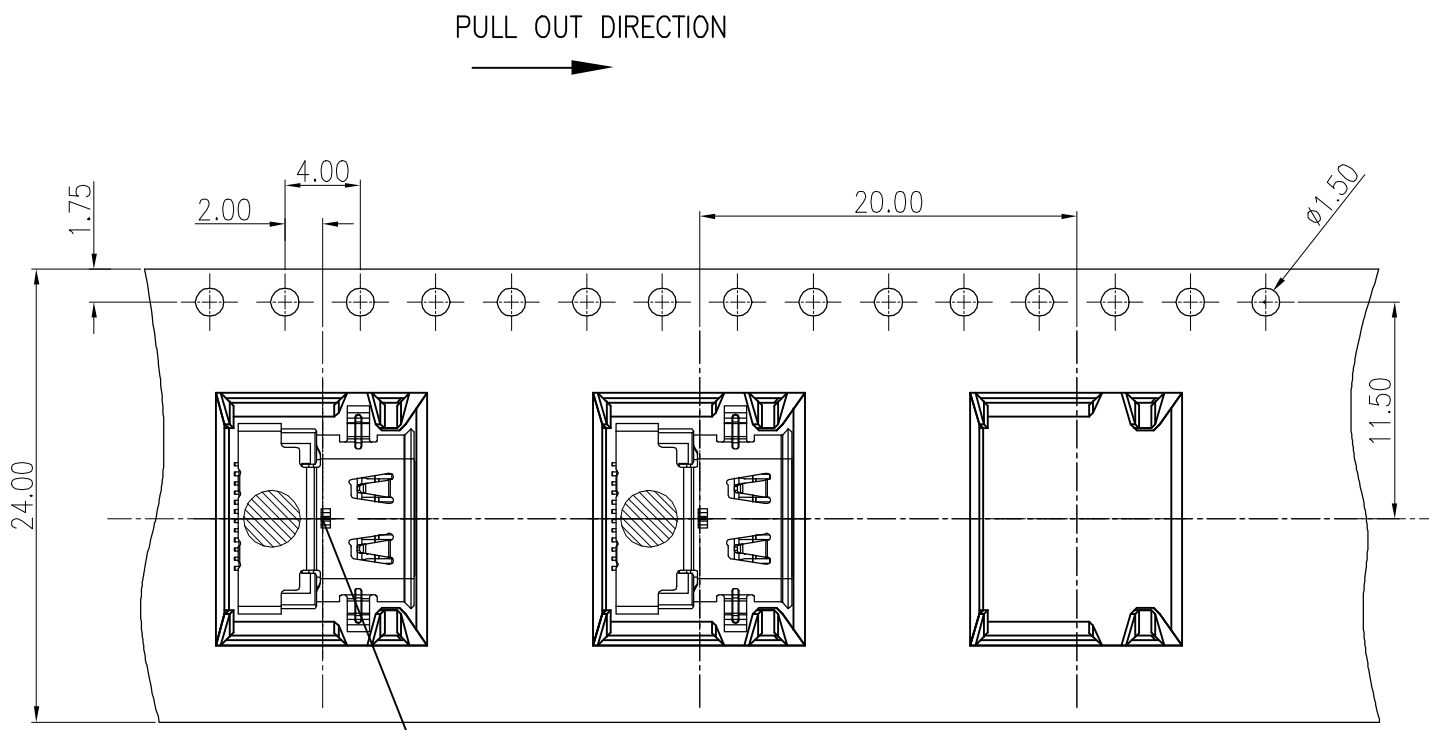
DWG NO.:

SHEET	SCALE	REV
1/1	1:1	B

REV	ECN.NO	APPD.
A	XYX-183CZ-24TC-18301	ZHENBO LIU
B	XYX-183CZ-24TC-18301	QiaoZhen LIN

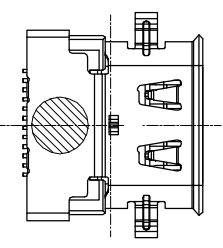


- NOTES :
- MATERIAL :
COVER TAPE : P.S T=0.05mm
CARRIER TAPE : P.S T=0.40mm
CARTON: CORRUGATED FIBER
 - DIMENSION :
REEL : SEE DRAWING
SHIPPING BOX: 350X350X300mm
 - QUANTITY : SEE TABLE
 - PEELING RESISTANCE : 10gf~130gf (for 12~56mm)
 - PEELING SPEED : 300mm/MINUTES



700	8	5600
PCS/REEL	REEL/BOX	TOTAL Q'TY

此文件为双方检验的唯一标准
This document is the only standard for inspection by both parties



GENERAL TOLERANCE	
X.±0.30	x.±1'
.X±0.25	.x'±0.1'
.XX±0.20	
.XXX±0.10	

THESE DRAWINGS AND SPECIFICATIONS ARE THE PROPERTY OF RIBAO IN TEECONNECT TECHNOLOGY LIMITED. AND SHALL NOT BE REPRODUCED COPIED OR USED IN ANY MANNER WITHOUT THE PRIOR WRITTEN CONSENT OF XINYEXING INTERCONNECTEC HNOLGY LIMITEDCT

UNITS	mm	NAME(INTENDED USE)	TYPE-C REC, CH-0.64mm
MAT'L		PART NO.(INTENDED USE)	XYX-183CZ-24TC-18301
FINISH		APPD:	ZHENBO LIU 12/04'16
Q'TY		CHKD:	QiaoZhen LIN 12/04'16
		DR:	ZHIYI LI 12/04'16

深圳市日宝电子科技有限公司
Shenzhen RB Electronic Technology Co., Ltd.

CLASS: CONFIDENTIAL SECRET GENERAL

TITLE.: CUSTOMER DRAWING

DWG NO.:

SHEET	SCALE	REV
1/1	1:1	B