

REV	ECN.NO	APPD.
A	XYX-183FZ-24TC-18303	ZHENBO LIU
B	XYX-183FZ-24TC-18303	QiaoZhen LIN

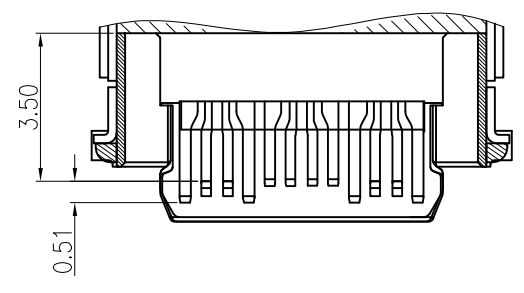
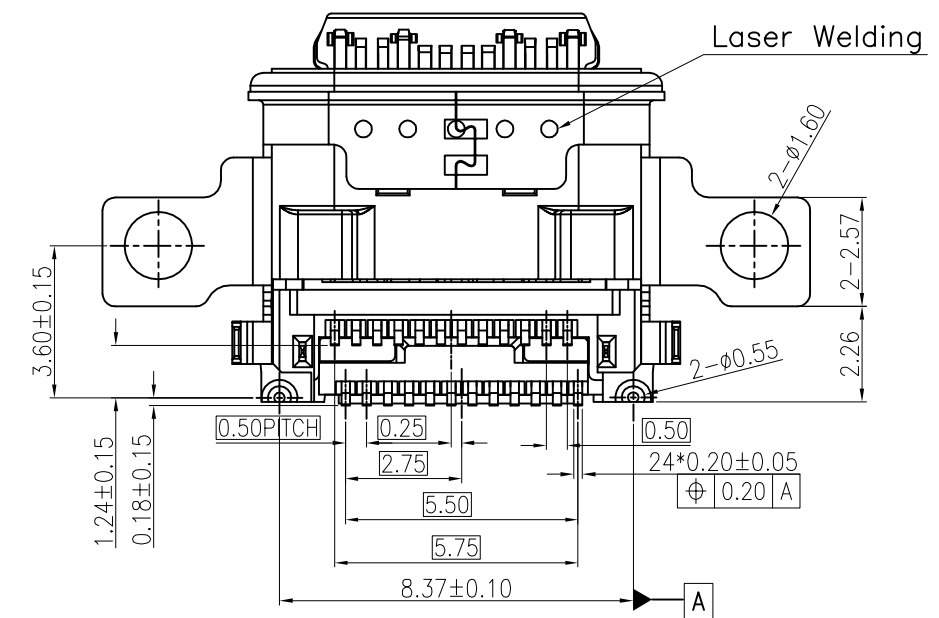
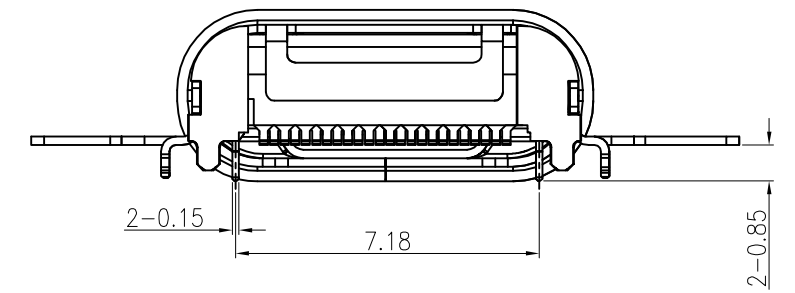
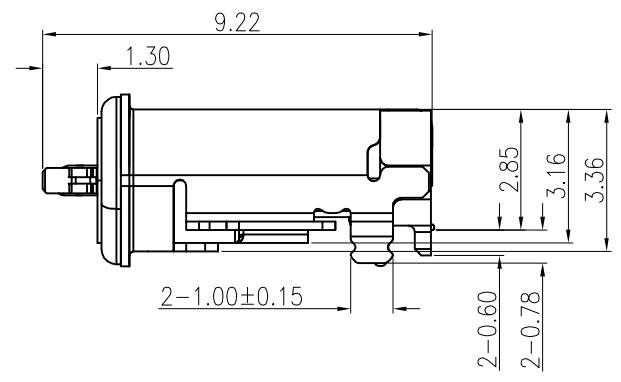
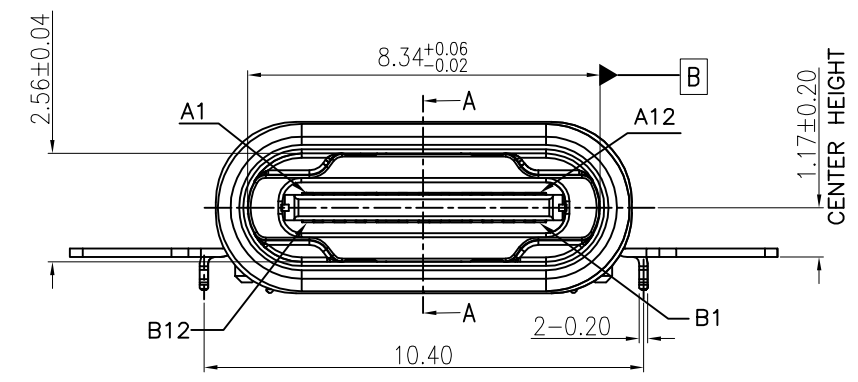
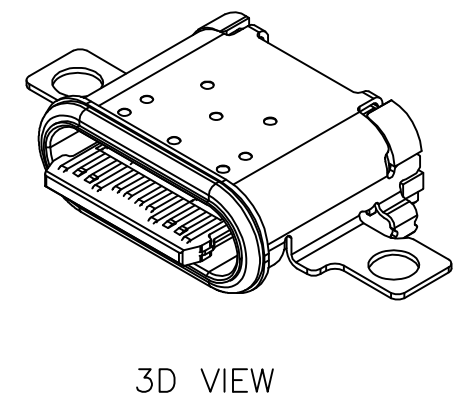
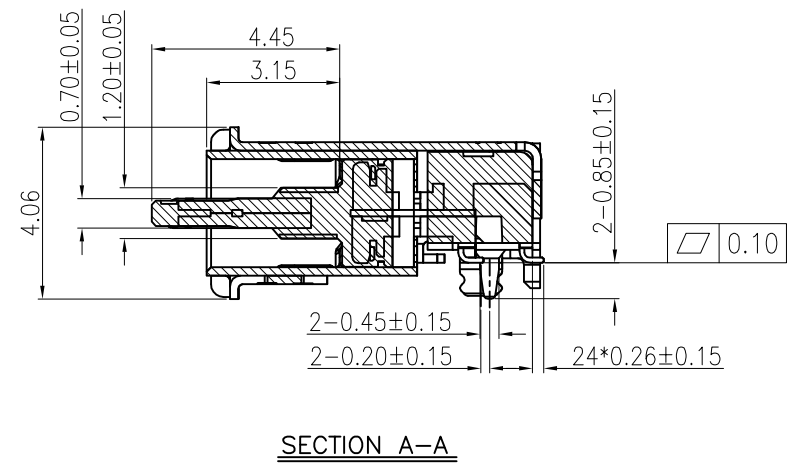
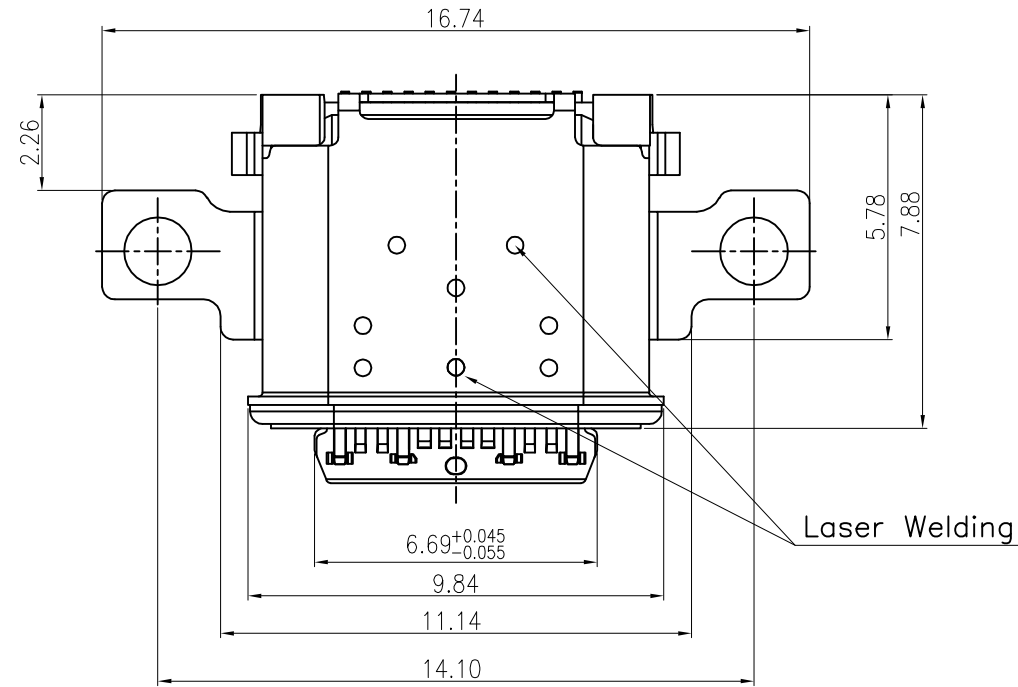


TABLE 1:

NO.	PART NAME	QTY	MATERIAL	DESCRIPTION
⑨	Silicone	1	LSP	BLACK
⑧	GLUE WATER	1	SILICA GEL	NATURAL CLOCK OR BLACK
⑦	Shell-2	1	Stainless steel	NI PLATED
⑥	Shell-1	1	Stainless steel	NI PLATED
⑤	GND PLATE	1	Stainless steel	NO PLATED
④	MID PLATE	1	Stainless steel	30u" MIN. SOLDERABLE NI PLATING ON ALL ARE
③	Bottom Terminal	12	Copper Alloy	50u" MIN. NI UNDER PLATING. MATTE TIN PLATING ON SOLDER AREA. GOLD FLASH PLATING ON CONTACT AREA
②	Top Terminal	12	Copper Alloy	
①	Housing	1	HIGH TEMP (PA46)	Black

此文件为双方检验的唯一标准
This document is the only standard for inspection by both parties

GENERAL TOLERANCE	UNITS	mm	NAME(INTENDED USE)
X.±0.30	x:±1'		USB TYPE C DUAL SMT,CH1.17mm
.X±0.25	.x'±0.1'	MAT'L	PART NO.(INTENDED USE)
.XX±0.20		FINISH	XYX-183FZ-24TC-18303
.XXX±0.10		Q'TY	APPD: ZHENBO LIU 12/28'23
THESE DRAWINGS AND SPECIFICATIONS ARE THE PROPERTY OF RIBAO IN TEECONNECT TECHNOLOGY LIMITED.AND SHALL NOT BE REPRODUCED COPIED OR USED IN ANY MANNER WITHOUT THE PRIOR WRITTEN CONSENT OF RBCONN INTERCONNECTEC HNOLGY LIMITEDCT			CHKD: QiaoZhen LIN 12/28'23
			DR: ZHIYI LI 12/28'23

深圳市日宝电子科技有限公司
Shenzhen RB Electronic Technology Co., Ltd.

CLASS: CONFIDENTIAL SECRET GENERAL

TITLE.: CUSTOMER DRAWING

DWG NO.:

	SHEET	SCALE	REV
	1 / 3	1:1	B

REV	ECN.NO	APPD.
A	XYX-183FZ-24TC-18303	ZHENBO LIU
B	XYX-183FZ-24TC-18303	QiaoZhen LIN

Waterproof Class: IP68

SPECIFICATION:

1.ELECTRICAL CHARACTERISTICS:

1.1 CURRENT RATING:

A current of 5 A shall be applied collectively to VBUS pins (i.e., pins A4, A9, B4, and B9) and 1.25 A shall be applied to the VCONN pin (i.e., B5 of the plug connector) with the return path through the corresponding GND pins (i.e., pins A1, A12, B1, and B12). A minimum current of 0.25 A shall also be applied individually to all the other contacts.

1.2 CONTACT RESISTANCE: INITIAL 40 mΩ Max.
AFTER 50 mΩ Max.

1.3 DIELECTRIC WITHSTANDING VOLTAGE: 100 VAC r.m.s

1.4 INSULATION RESISTANCE: 100MΩ MIN.

2.MECHANICAL CHARACTERISTICS

2.1 INSERTION FORCE: 5~20N

2.2 EXTRACTION FORCE: Initial:8~20N;Durability:6~20N(1000cycles)

2.3 DURABILITY:10,000 CYCLES

3.ENVIRONMENTAL CHARACTERISTICS

3.1 TEMPERATURE RANGE: -40 °C ~ 85 °C

3.2. IR REFLOW:

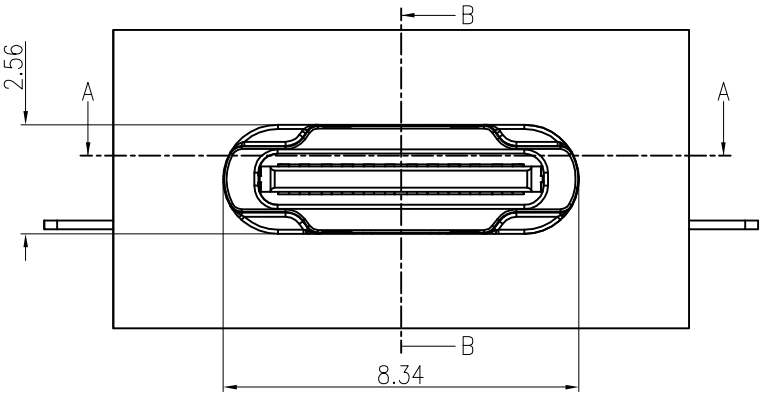
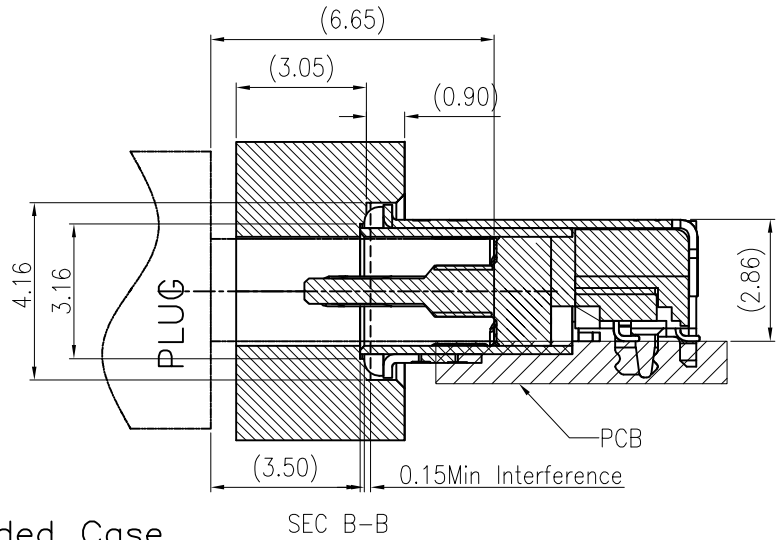
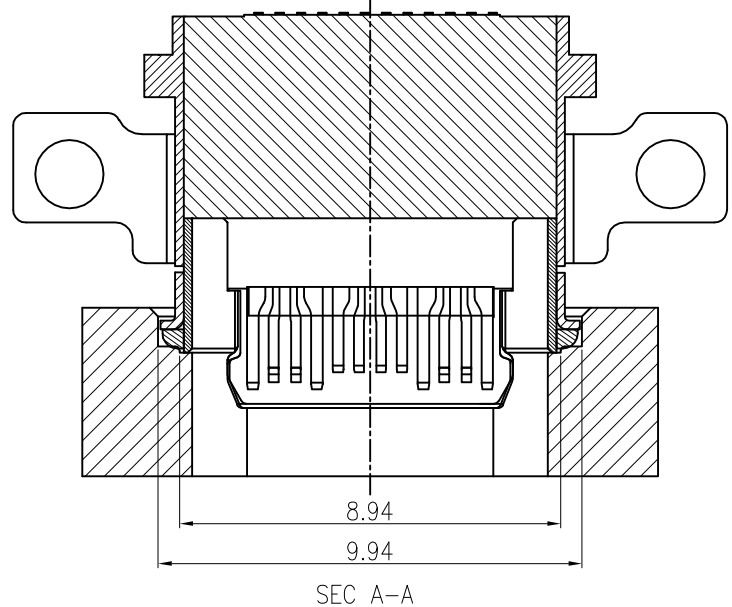
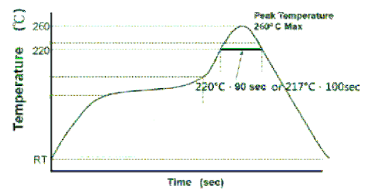
THE PEAK TEMPERATURE ON THE BOARD SHALL BE MAINTAINED FOR 10 SECONDS AT 260°C.

4.IR REFLOW

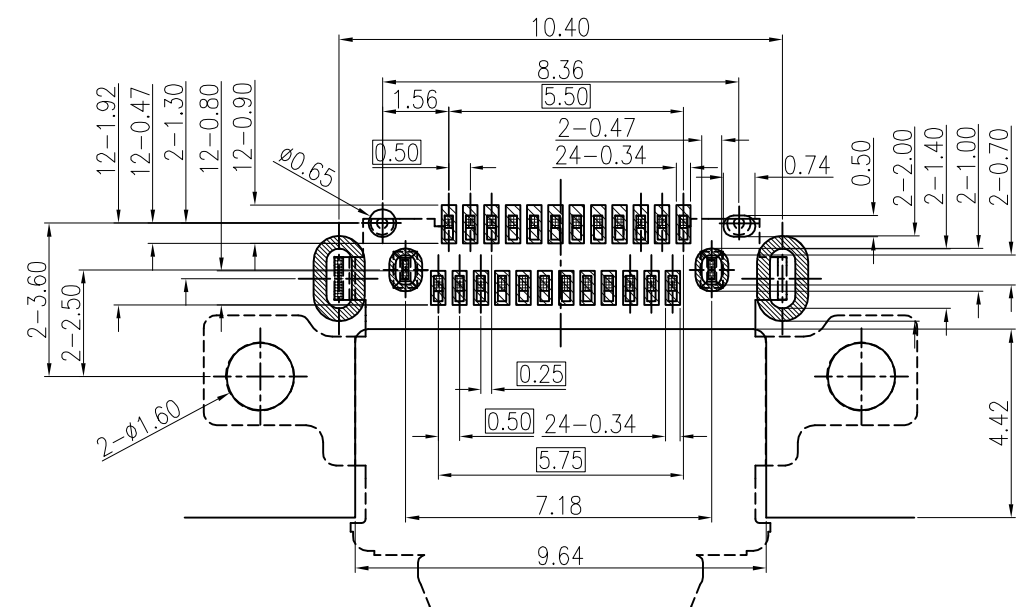
4.1 PEAL PACKAGE BODY TEMPERATURE: 260 °C

4.2 LIQUIDUS TEMPERATUER TL/TIME MAINTAINED ABOVE TL(S): 217°C,100sec or 220°C,90sec.

4.3 NUMBER OF REFLOW TO MEET ABOVE CRITERRIA: ≥2TIMES MIN.



Recommended Case
General Tolerances:±0.05



RECOMMENDED PCB LAYOUT TOP VIEW
DEFAULT TOLERANCE ±0.05
THICKNESS=1.2mm

A1	A2	A3	A4	A5	A6	A7	A8	A9	A10	A11	A12
GND	TX1+	TX1-	VBUS	CC1	D+	D-	SUB1	VBUS	RX2-	RX2+	GND
GND	RX1+	RX1-	VBUS	SBU2	D-	D+	CC2	VBUS	TX2-	TX2+	GND
B12	B11	B10	B9	B8	B7	B6	B5	B4	B3	B2	B1

GENERAL TOLERANCE	UNITS	mm	NAME(INTENDED USE)
X.±0.30	x:±1°		USB TYPE C DUAL SMT,CH1.17mm
.X±0.25	.x±0.1°	MAT'L	PART NO.(INTENDED USE)
.XX±0.20		FINISH	XYX-183FZ-24TC-18303
.XXX±0.10		Q'TY	APPD: ZHENBO LIU 12/28'23
THESE DRAWINGS AND SPECIFICATIONS ARE THE PROPERTY OF RIBAO IN TEECONNECT TECHNOLOGY LIMITED.AND SHALL NOT BE REPRODUCED COPIED OR USED IN ANY MANNER WITHOUT THE PRIOR WRITTEN CONSENT OF RBCONN INTERCONNECTEC HNOLOGY LIMITEDCT			CHKD: QiaoZhen LIN 12/28'23
			DR: ZHIYI LI 12/28'23

深圳市日宝电子科技有限公司
Shenzhen RB Electronic Technology Co., Ltd.

CLASS: CONFIDENTIAL SECRET GENERAL

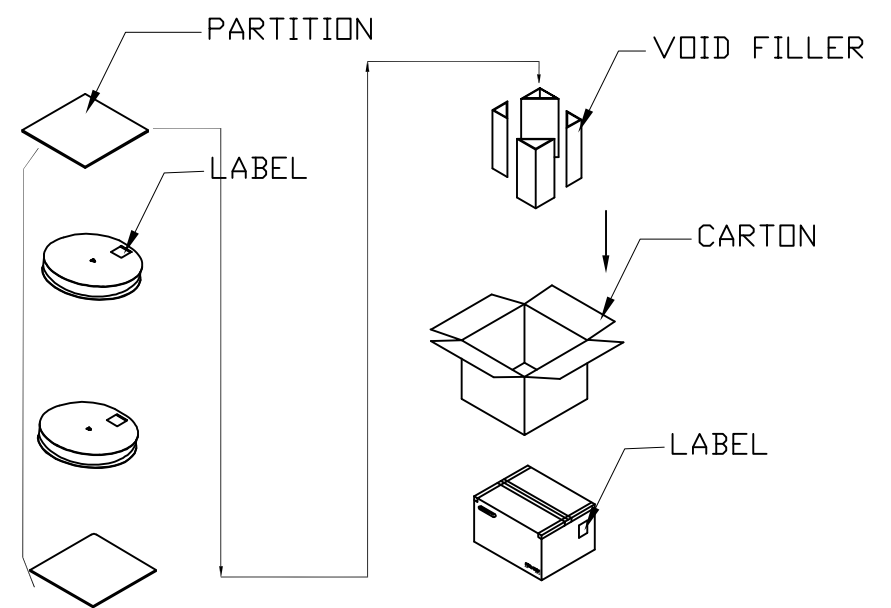
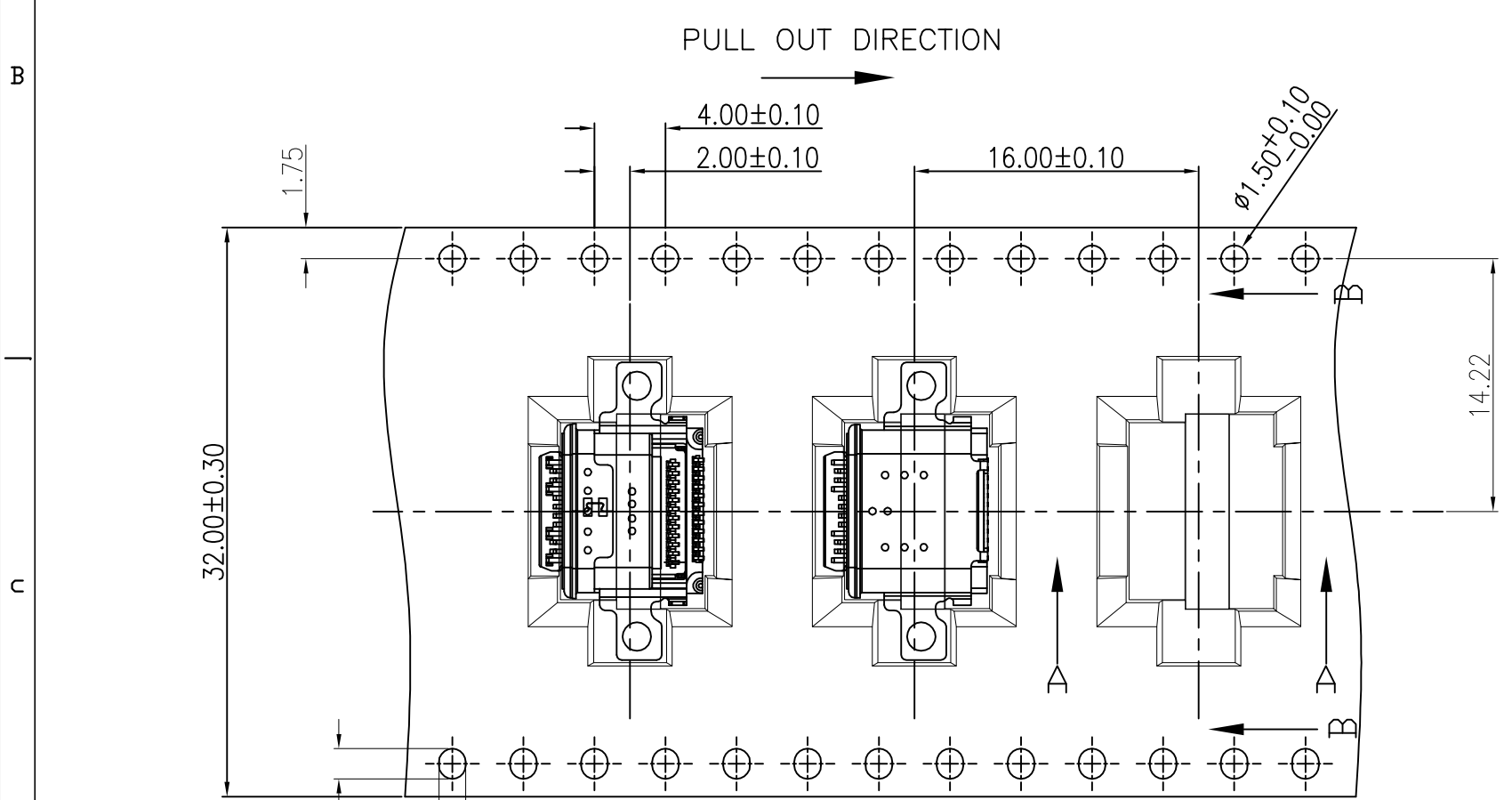
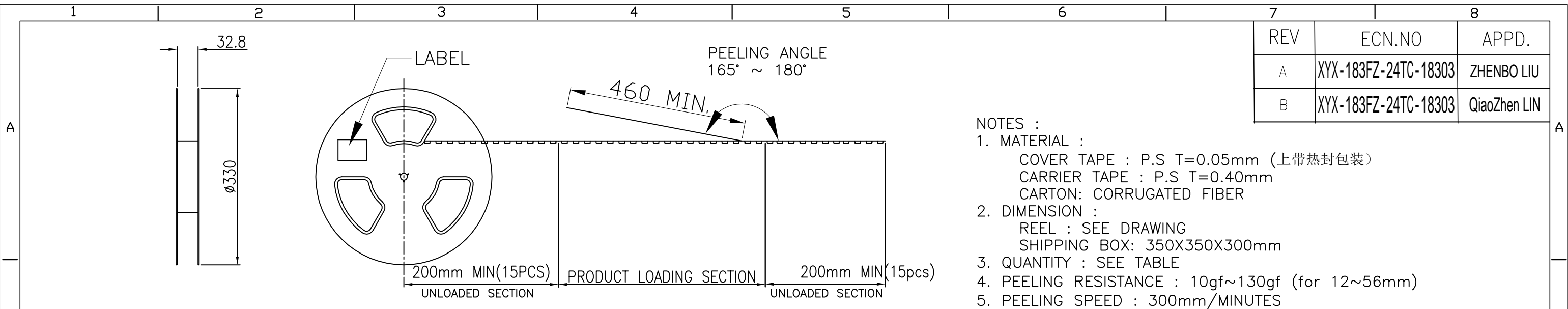
TITLE.: CUSTOMER DRAWING

DWG NO.:

SHEET	SCALE	REV
2 / 3	1:1	B

REV	ECN.NO	APPD.
A	XYX-183FZ-24TC-18303	ZHENBO LIU
B	XYX-183FZ-24TC-18303	QiaoZhen LIN

- NOTES :
- MATERIAL :
COVER TAPE : P.S T=0.05mm (上带热封包装)
CARRIER TAPE : P.S T=0.40mm
CARTON: CORRUGATED FIBER
 - DIMENSION :
REEL : SEE DRAWING
SHIPPING BOX: 350X350X300mm
 - QUANTITY : SEE TABLE
 - PEELING RESISTANCE : 10gf~130gf (for 12~56mm)
 - PEELING SPEED : 300mm/MINUTES



900	7	6300
PCS/REEL	REEL/BOX	TOTAL Q'TY

GENERAL TOLERANCE	UNITS	mm	NAME(INTENDED USE)
X.±0.30 x.'±1'	MAT'L		USB TYPE C DUAL SMT,CH1.17mm
.X±0.25 .x'±0.1'	FINISH		PART NO.(INTENDED USE)
.XX±0.20	Q'TY		XYX-183FZ-24TC-18303
.XXX±0.10			APPD: ZHENBO LIU 12/28'23
			CHKD: QiaoZhen LIN 12/28'23
			DR: ZHIYI LI 12/28'23

深圳市日宝电子科技有限公司
Shenzhen RB Electronic Technology Co., Ltd.

CLASS: CONFIDENTIAL SECRET GENERAL

TITLE.: CUSTOMER DRAWING

DWG NO.:

SHEET	SCALE	REV
3/3	1:1	B

THESE DRAWINGS AND SPECIFICATIONS ARE THE PROPERTY OF RIBAO IN TEECONNECT TECHNOLOGY LIMITED AND SHALL NOT BE REPRODUCED COPIED OR USED IN ANY MANNER WITHOUT THE PRIOR WRITTEN CONSENT OF RBCONN INTERCONNECTEC HNOLOGY LIMITEDCT

此文件为双方检验的唯一标准
This document is the only standard for inspection by both parties